

Please Read and Save this Use and Care Book

Por favor lea este instructivo antes de usar el producto

 **BLACK & DECKER**[®]
—[†]SPACEMAKER™—

**UNDER-THE-CABINET
CAN OPENER**

**ABRELATAS
PARA INSTALAR DEBAJO DEL GABINETE**



Register your product online at
www.prodprotect.com/applica, for a chance to
WIN \$100,000!

For US residents only

Registre su producto por Internet en
www.prodprotect.com/applica y tendrá la oportunidad
de **GANAR \$100,000!**

Solamente para residentes de EE.UU



USA/Canada 1-800-231-9786

www.prodprotect.com/applica

Accessories/Parts (USA/Canada)
Accesorios/Partes (EE.UU./Canadá)
1-800-738-0245

**Models
Modelos**

- CO100**
- CO100WM**
- CO100B**
- CO95**

IMPORTANT SAFEGUARDS

When using electrical appliances, basic safety precautions should always be followed, including the following:

- Read all instructions.
- To protect against risk of electrical shock do not immerse cord, plugs or appliance in water or other liquid.
- Close supervision is necessary when any appliance is used by or near children.
- Make sure appliance is OFF when not in use, before putting on or taking off parts, and before cleaning.
- Avoid contacting moving parts.
- Do not operate any appliance with a damaged cord or plug or after the appliance malfunctions, or is dropped or damaged in any manner. Return appliance to the nearest authorized service facility for examination, repair or electrical or mechanical adjustment. Or, call the appropriate toll-free number on the cover of this manual.
- The use of attachments not recommended or sold by the manufacturer may cause fire, electric shock or injury.
- Do not use outdoors.
- Do not open pressurized (aerosol-type) cans.
- Do not open cans of flammable liquids such as lighter fluids.
- To reduce the risk of fire or electric shock, do not operate any heating appliance beneath the mounted unit.
- Do not mount the storage bracket/unit over or near any portion of a heating or cooking appliance, or a sink or basin.

SAVE THESE INSTRUCTIONS.

This product is for household use only.

POLARIZED PLUG (120V Models Only)

This appliance has a polarized plug (one blade is wider than the other). To reduce the risk of electric shock, this plug is intended to fit into a polarized outlet only one way. If the plug does not fit fully into the outlet, reverse the plug. If it still does not fit, contact a qualified electrician. Do not attempt to modify the plug in any way.

TAMPER-RESISTANT SCREW

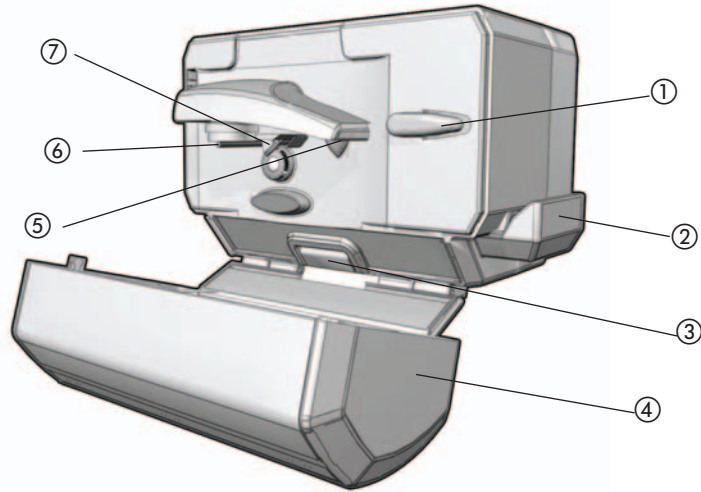
Warning: This appliance is equipped with a tamper-resistant screw to prevent removal of the outer cover. To reduce the risk of fire or electric shock, do not attempt to remove the outer cover. There are no user-serviceable parts inside. Repair should be done only by authorized service personnel.

ELECTRICAL CORD

- a) A short power-supply cord (or detachable power-supply cord) is to be provided to reduce the risk resulting from becoming entangled in or tripping over a longer cord.
- b) Longer detachable power-supply cords or extension cords are available and may be used if care is exercised in their use.
- c) If a long detachable power-supply cord or extension cord is used,
 - 1) The marked electrical rating of the detachable power-supply cord or extension cord should be at least as great as the electrical rating of the appliance,
 - 2) If the appliance is of the grounded type, the extension cord should be a grounding-type 3-wire cord, and
 - 3) The longer cord should be arranged so that it will not drape over the countertop or tabletop where it can be pulled on by children or tripped over.

Note: If the power supply cord is damaged, it should be replaced by qualified personnel; in Latin America, by an authorized service center.

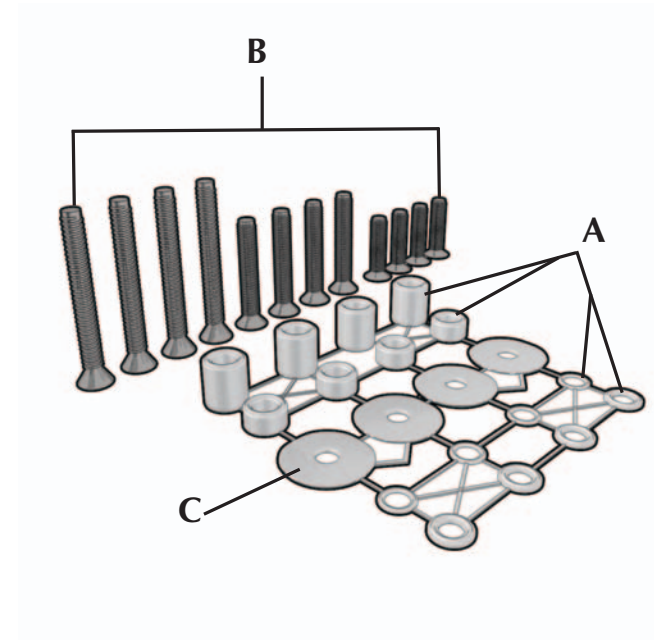
Product may vary slightly from what is illustrated.



A1

1. Bag cutter
2. Knife sharpener
3. Bottle opener
4. Cover
- † 5. Blade assembly with magnet (Part # CO001) (White), (Part # CO002) (Black)
6. Locating post
7. Piercing lever
8. Cord storage (not shown)
9. Cord management hook (not shown)
- †10. Mounting Kit (Part # CO003-01) White, (Part # CO003-02) Black (not shown)

Note: † indicates consumer replaceable/removable parts



A2

† 1. Mounting Parts
(Part # SDC-MOUNTING KIT)

A. 16 Spacers

- 4 1/2"
- 4 1/4"
- 4 3/16"
- 4 1/16"

B. 12 Screws

- 4 1"
- 4 1 1/2"
- 4 2 1/4"

C. 4 Washers

2. Mounting Template (in box)

You will also need:

- Tape
- Ruler (or you may cut out the ruler provided on the template)
- Electric drill with a 1/4" drill bit

GETTING STARTED

- Remove all packing material, labels and any stickers.
- Remove and save literature.
- Unpack mounting parts and set them aside in a safe place where they will not roll away or get lost.

Important: Do not attempt to operate appliance until it is properly installed.

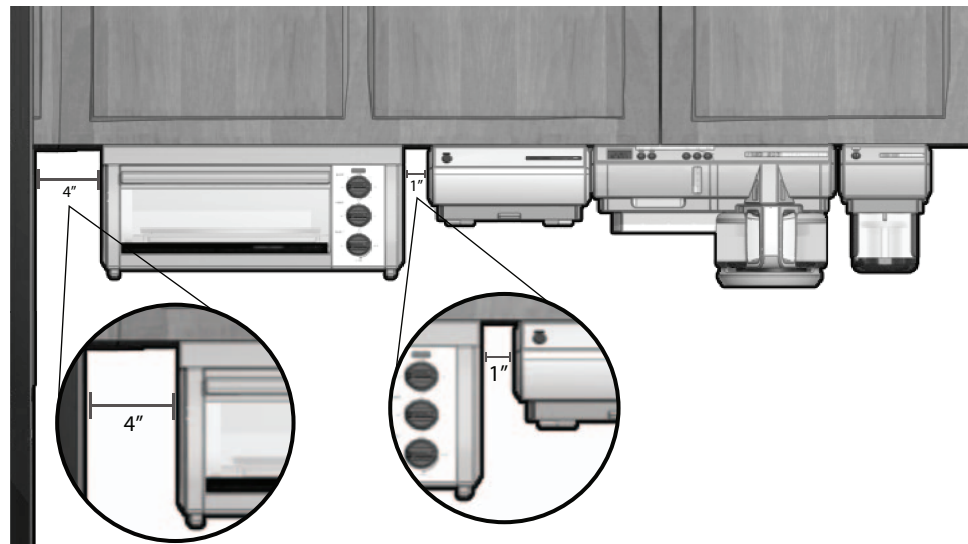
CHOOSE A LOCATION

When choosing your location, consider the following:

- **DO** make sure to mount within reach of an electrical outlet.
- **DO** consider your normal work patterns in the kitchen when choosing location.
- **DO NOT** mount over any heating or cooking appliance such as your range or oven.
- **DO NOT** mount over or near a sink.
- **DO NOT** mount under, in front of or behind any under-cabinet light fixtures.

Note: If mounting multiple †SpaceMaker™ appliances and you are installing your appliance next to the SpaceMaker™ oven (**Fig. A.3**):

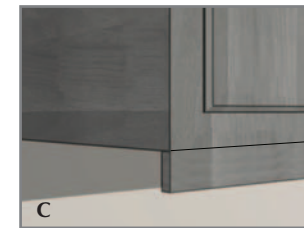
- Allow at least 1" between the control panel side of the oven and the appliance.
- Allow at least 4" between the side opposite the control panel of your oven and adjacent wall or other appliance. You can mount the other appliances flush to one another.



Note: If you are connecting this appliance to the receptacle of another †SpaceMaker™ appliance such as the toaster oven or coffeemaker, make sure you can easily unplug the appliance following use.

DETERMINE CABINET TYPE

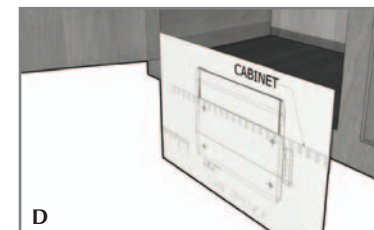
Prior to installation, determine if your cabinet has a flat bottom (**B**) or an overhang molding (**C**). If your cabinet is flat, follow STANDARD INSTALLATION; if the cabinet has an overhang molding, refer to OVERHANG MOLDING INSTALLATION.



STANDARD INSTALLATION (FLAT CABINET)

Important: Always wear protective glasses or goggles to prevent injury when drilling.

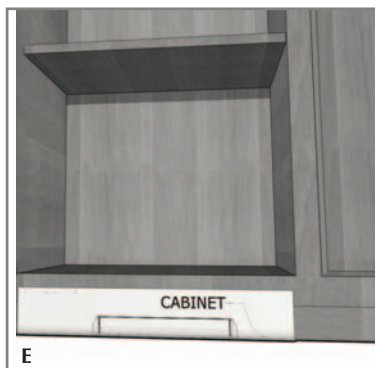
1. Clear countertop under installation area to avoid getting dust or debris on other appliances or items. Open cabinets and remove contents to make mounting easier.
2. Clean both the underside and topside of the bottom panel of the cabinet.
3. With cabinet doors open, place mounting template flush against the surface of the underside of your cabinet, making sure to align thick line on template with bottom front edge of your cabinet (**D**).



Important: Do not align screw holes on template directly under the partition between cabinets, as this will prevent you from installing the appliance properly. Pay close attention to where the drill holes will be set so as not to damage your cabinets during mounting. Drilling through your cabinet's partition may cause damage to cabinets and prevent proper installation.

4. Fold the template along the edge of your cabinet so the thick line is straight with bottom front edge; pull template tight and tape down to hold in place.

5. Drilling from under the cabinet up, drill holes through the 4 places marked on the template, using a 1/4-inch drill bit (E).



Important: Always ensure you are drilling straight up through the marked mounting holes on the template. Drilling at an angle may prevent proper installation and may damage cabinets if the drill bit pierces the partition.

6. Once holes are drilled, remove tape and mounting template.
7. Wipe dust and debris off the topside and underside of the cabinet surface.
8. Place a washer inside the cabinet over each of the 4 holes you drilled.
9. Hold appliance in place, aligning front of unit with front edge of cabinet; drilled holes on cabinet should be aligned with mounting holes on the unit.
10. Drop one of your screws through each of the washers covering the holes in the cabinet, from inside the cabinet down.

Note: To determine which screws to use, you must have enough of the screw exposed underneath the cabinet to properly thread the screw into the nut.

11. Screwing from inside the cabinet down into appliance holes, tighten 4 screws in place to secure appliance to cabinet.

Note: Always tighten screws to ensure the appliance does not move or shake during operation.

12. Pull out cord from cord storage behind appliance and plug into standard electrical outlet. Extra cord can be fed back into storage or hung over cord management hook behind unit (F).



Note: If you are connecting this appliance to the receptacle of another †SpaceMaker™ appliance such as the toaster oven or coffeemaker, make sure you can easily unplug the appliance following use.

13. Your †SpaceMaker™ appliance is now ready for use!

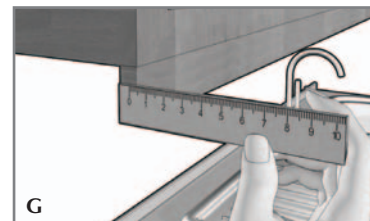
OVERHANG MOLDING INSTALLATION

For cabinets with an overhang molding (see Illustration C)

Important: Always wear protective glasses or goggles to prevent injury when drilling.

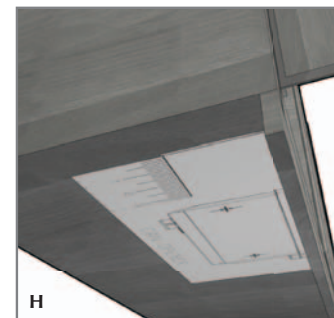
Note: Spacers are provided in case your cabinet has an overhang molding at the front edge. Only use spacers on the rear screws of the appliance to ensure it is level with the front.

1. Clear countertop under installation area to avoid getting dust or debris on other appliances or items. Open cabinets and remove contents to make mounting easier.
2. Clean both the underside and topside of the bottom panel of the cabinet.
3. Using a ruler, measure the thickness of the overhang molding (G), accurately noting the number for use in the following step.



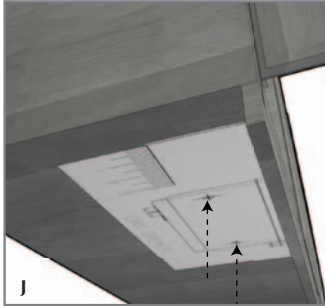
Note: If you do not have a ruler, you may cut out the paper ruler provided on the edge of your mounting template.

4. After measuring the overhang molding thickness as shown in Illustration G, look at the dashed lines on the mounting template; each line has a measurement next to it that indicates the thickness of the overhang molding used with that line. For example, if your cabinet has an overhang molding thickness of 1/2", you will use the 1/2" dashed line on the template.
5. Fold the template along the dashed line that matches the thickness of your overhang molding.
6. Place the folded template against the back edge of the overhang molding, making sure the side with the drill hole marks is facing down (H).



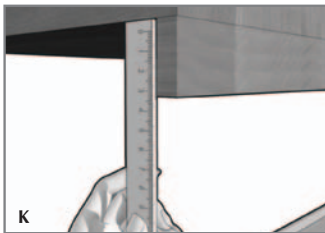
Important: Do not align screw holes on template directly under the partition between cabinets, as this will prevent you from installing the appliance properly. Pay close attention to where the drill holes will be set so as not to damage your cabinets during mounting. Drilling through your cabinet's partition may cause damage to cabinets and prevent proper installation.

7. Making sure to keep the fold line straight against the back edge of the overhang molding, tape the template securely in place.
8. Drilling from under the cabinet up, drill holes through the 4 places marked on the template using a 1/4-inch drill bit (J).



Important: Always ensure you are drilling straight up through the marked mounting holes on the template. Drilling at an angle may prevent proper installation and may damage cabinets if the drill bit pierces the partition.

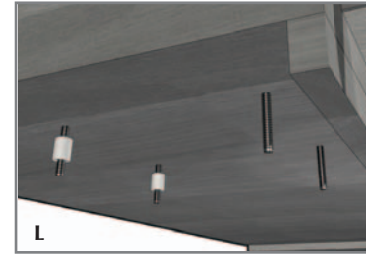
9. Once holes are drilled, remove tape and mounting template.
10. Wipe dust and debris off the underside and topside of the cabinet surface.
11. Place a washer inside the cabinet over each of the 4 holes you drilled.
12. Now, use your ruler or the paper ruler provided to measure the overhang molding height, placing your ruler vertically against the underside of the cabinet behind the overhang molding. This number determines the number of spacers you need, using a number of spacers equal to the overhang molding height. For example, a 1" overhang molding would use 2, 1/2" spacers on each of the rear holes (K).



13. Drop one of your screws through each of the washers covering the holes in the cabinet, from inside the cabinet down.

Note: To determine which screws to use, you must have enough of the screw exposed underneath the cabinet to properly thread the screw into the nut.

14. Place the appropriate number of spacers determined in step 12 on both of the rear screws to ensure the appliance will be even (L).



Note: If the height of your overhang molding is too tall to be accommodated by the number of spacers provided, you may call, toll-free, at 1-800-231-9786 to order additional spacers at no charge.

Note: For spacer installation, you may require assistance in mounting in order to hold spacers in place while securing the appliance at the same time. If assistance is not available, use a small clamp to hold the spacers in place while you position the appliance.

15. Once spacers are set, hold appliance up and tighten screws to secure. Screw from inside the cabinet down.

Note: Always tighten screws to ensure the appliance does not move or shake during operation.

16. Pull out cord from cord storage behind appliance and plug into standard electrical outlet. Extra cord can be fed back into storage or hung over cord management hook behind unit (see illustration F).

Note: If you are connecting this appliance to the receptacle of another †SpaceMaker™ appliance such as the toaster oven or coffeemaker, make sure you can easily unplug the appliance following use.

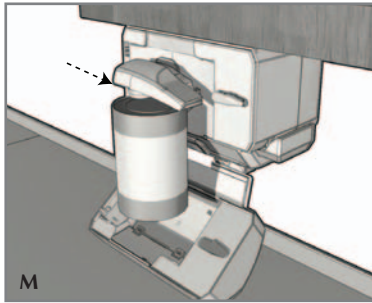
17. Your †SpaceMaker™ appliance is now ready for use!

How to Use

This appliance is for household use only.

OPENING A CAN

1. Lift piercing lever.
2. Tip can so that the rim is under the locating post, then push down on the piercing lever, making sure the cutter blade is inside the rim of the can (**M**).



Note: Because of the hands-free feature, it is not necessary to hold the lever down or hold the can during cutting. However, you may have to support very tall or heavy cans.

Tip: When the can is opened, the can opener will stop automatically.

3. To remove the can, hold it with one hand and raise the lever with the other.

Caution: Avoid contact with the cut edges of the can or lids — they are sharp. During opening process, the design of your can opener will roll the rim of the can to prevent sharp edges; however, handle with caution and always handle cut lid with caution, as these edges are not rolled.

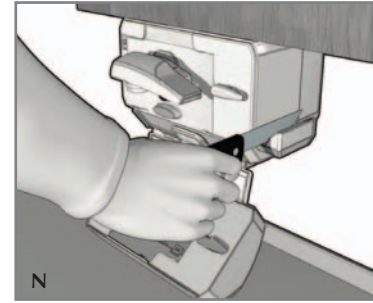
4. Carefully discard the lid from the magnet.

Important Tips:

- Do not use this can opener to open cans with a pull tab, peel-off foil seal, or rolling key or rimless cans.
- Open frozen juices or foods in cardboard cans right from the freezer, while they are frozen.
- Aluminum lids will not stick to the magnet.

USING THE KNIFE SHARPENER

1. For best results, sharpen the entire blade length in one continuous stroke.
2. Insert blade to be sharpened with the end of the blade closest to the handle on the knife into the sharpening slot.
3. Carefully press down on the blade and pull it toward you through the slot in one continuous stroke (**N**).



Important: Do not saw knife back and forth to sharpen. Pull through the sharpener in one direction with a continuous, slow, even motion. Failure to do so may dull or damage your blade.

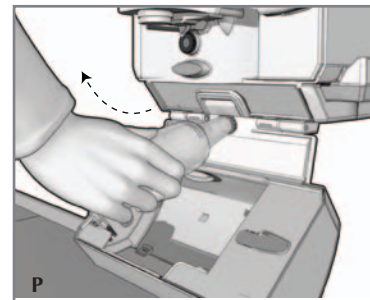
4. Repeat until desired sharpness is achieved.
5. Wash and dry knife before using again.

Important Tips:

- Use caution when washing and drying knives after sharpening.
- Do not sharpen serrated blades, as this will smooth their edges.
- Do not sharpen scissors.

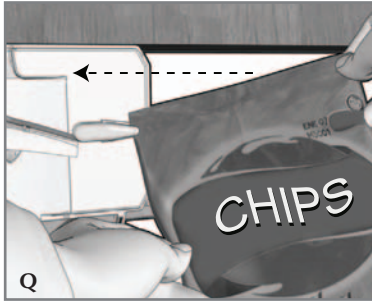
USING THE BOTTLE OPENER

1. Grasp the bottle and position cap above the lip on the back side of the bottle opener.
2. Tilt bottom of the bottle away from you to catch the cap on the lip and open the bottle (**P**).



USING THE BAG CUTTER

1. Grasp the plastic or metal foil bag to be opened by one corner, with one hand holding the top edge and the other holding the side or bottom, depending on the size of the bag.
2. Position tightly pulled corner of bag against the cutter and pull firmly to the left to open the bag (Q).



Note: Pulling a bag straight against the cutter will cut a line along the top of the bag; pulling at an angle will simply remove the corner.

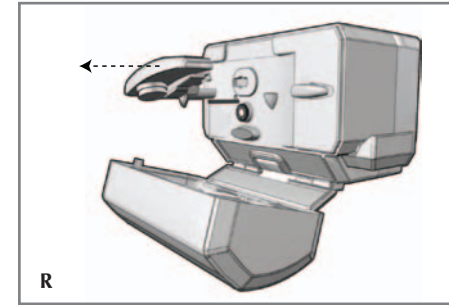
Care and Cleaning

This product contains no user serviceable parts. Refer service to qualified service personnel.

Important: Unplug the cord before cleaning the unit.

REMOVING BLADE ASSEMBLY

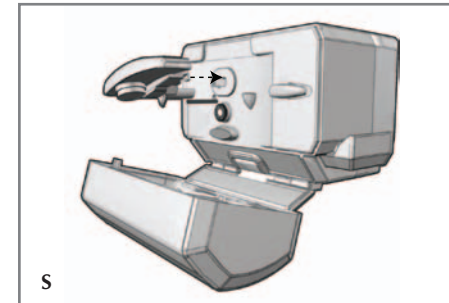
1. Lift the piercing lever up as far as it will go (roughly 90°).
2. Carefully grip the blade assembly and pull it away from the can opener (R).



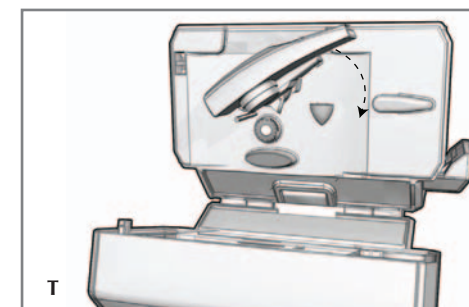
3. Wash in sudsy water by hand and dry thoroughly. Do not put the blade assembly in the dishwasher.
4. Before replacing the blade assembly, wipe the can opener body, knife sharpener and area around the geared wheel with a slightly damp cloth or sponge.

REPLACING BLADE ASSEMBLY

1. Align key post on the blade assembly with key slot on the unit (S).



2. Push in blade assembly and turn clockwise until it locks into position (T).



INSTRUCCIONES IMPORTANTES DE SEGURIDAD

Cuando se usan aparatos eléctricos, siempre se deben respetar las siguientes medidas básicas de seguridad:

- Por favor lea todas las instrucciones.
- A fin de protegerse contra el riesgo de un choque eléctrico, no sumerja el cable, los enchufes ni el aparato en agua ni en ningún otro líquido.
- Todo aparato eléctrico usado en la presencia de los niños o por ellos mismos requiere la supervisión de un adulto.
- Desconecte el aparato del tomacorriente cuando no esté en uso, antes de instalarle o retirarle piezas y antes de limpiarlo.
- Evite el contacto con las piezas móviles.
- No use ningún aparato eléctrico que tenga el cable o el enchufe averiado, que presente un problema de funcionamiento o que esté dañado. Acuda a un centro de servicio autorizado para que lo examinen, reparen o ajusten o llame gratis al número correspondiente en la cubierta de este manual.
- El uso de accesorios no recomendados por el fabricante del aparato puede ocasionar incendio, choque eléctrico o lesiones.
- No use este aparato a la intemperie.
- No abra latas (tipo aerosol) presurizadas.
- No abra latas de líquidos inflamables tales como las de los líquidos encendedores.
- Para evitar el riesgo de incendio o choque eléctrico, no opere ningún artefacto de calefacción debajo del montaje de este aparato.
- No instale el soporte de almacenaje / aparato sobre ni cerca de ninguna superficie de un aparato de calentar o de cocina ni sobre una pila o fregadero.

CONSERVE ESTAS INSTRUCCIONES.

Este aparato eléctrico es para uso doméstico únicamente.

ENCHUFE POLARIZADO (Solamente para los modelos de 120V)

Este aparato cuenta con un enchufe polarizado (un contacto es más ancho que el otro). A fin de reducir el riesgo de un choque eléctrico, este enchufe encaja en un tomacorriente polarizado en un solo sentido. Si el enchufe no entra en el tomacorriente, inviértalo y si aun así no encaja, consulte con un electricista. Por favor no trate de alterar esta medida de seguridad.

TORNILLO DE SEGURIDAD

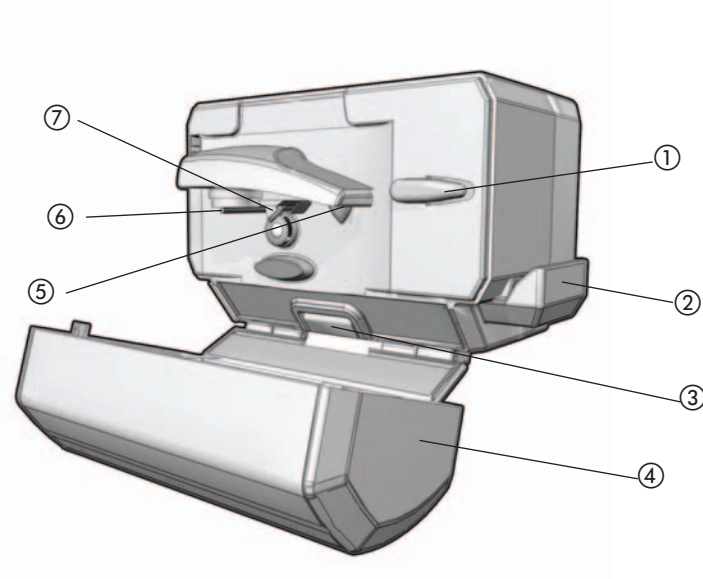
Advertencia: Este aparato cuenta con un tornillo de seguridad para evitar la remoción de la cubierta exterior del mismo. A fin de reducir el riesgo de incendio o de choque eléctrico, por favor no trate de remover la cubierta exterior. Este producto no contiene piezas reparables por el consumidor. Toda reparación se debe llevar a cabo únicamente por personal de servicio autorizado.

CABLE ELÉCTRICO

- a) El producto se debe proporcionar con un cable eléctrico corto (o uno separable), a fin de reducir el riesgo de tropezar o de enredarse en un cable más largo.
- b) Existen cables eléctricos más largos y separables o cables de extensión que uno puede utilizar si toma el cuidado debido.
- c) Si se utiliza un cable separable o de extensión,
 - 1) El régimen nominal del cable separable o del cable de extensión debe ser, como mínimo, igual al del régimen nominal del aparato.
 - 2) Si el aparato es de conexión a tierra, el cable de extensión debe ser un cable de tres alambres de conexión a tierra.
 - 3) Uno debe de acomodar el cable más largo de manera que no cuelgue del mostrador o de la mesa, para evitar que un niño tire del mismo o que alguien se tropiece.

Nota: Si el cordón de alimentación es dañado, en América Latina debe sustituirse por personal calificado o por el centro de servicio autorizado.

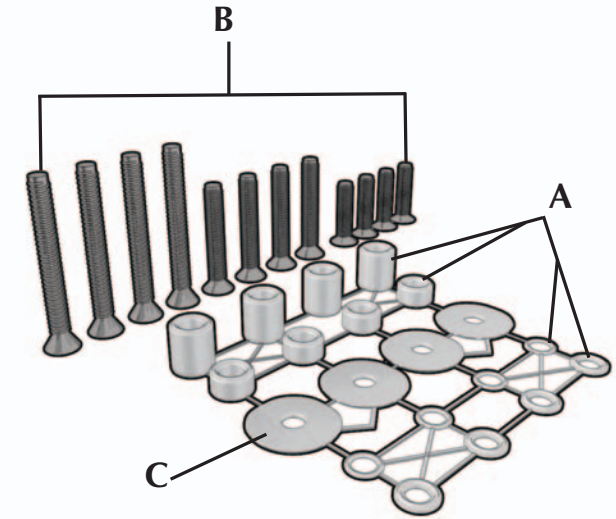
El producto puede variar ligeramente del que aparece ilustrado aquí.



A1

1. Cortabolsas
2. Afilador de cuchillos
3. Compartimiento para el cable
4. Tapa
- † 5. Montaje de la cuchilla, con magneto (Pieza N° C001) blanco, (Pieza N° C002) negro
6. Guía de colocación
7. Palanca de perforación
8. Compartimiento para el cable (no mostrado)
9. Gancho para afianzar el cable (no mostrado)
- †10. Juego de piezas de montaje (Pieza N° C003-01) blanco, (Pieza N° C003-02) negro (no mostrado)

Nota: † indica piezas desmontables/reemplazables por el consumidor



A2

† 1. Piezas para el ensamble
(Pieza N° SDC-MOUNTING KIT)

A. 16 Separadores

- 4 1/2"
- 4 1/4"
- 4 3/16"
- 4 1/16"

B. 12 Tornillos

- 4 1"
- 4 1 1/2"
- 4 2 1/4"

C. 4 Arandela

2. Plantilla para el ensamble (en caja)

También necesitará:

- Cinta adhesiva
- Regla (o puede también cortar la regla que se proporciona con la plantilla)
- Taladro eléctrico con broca de 1/4"

PASOS PRELIMINARES

- Retire todo el material de empaque, etiquetas y calcomanías.
- Retire y conserve toda literatura.
- Desempaque las partes de montaje, y apártelos en un lugar seguro para no perderlos.

Importante: No trate de operar el aparato sin antes haberlo instalado debidamente.

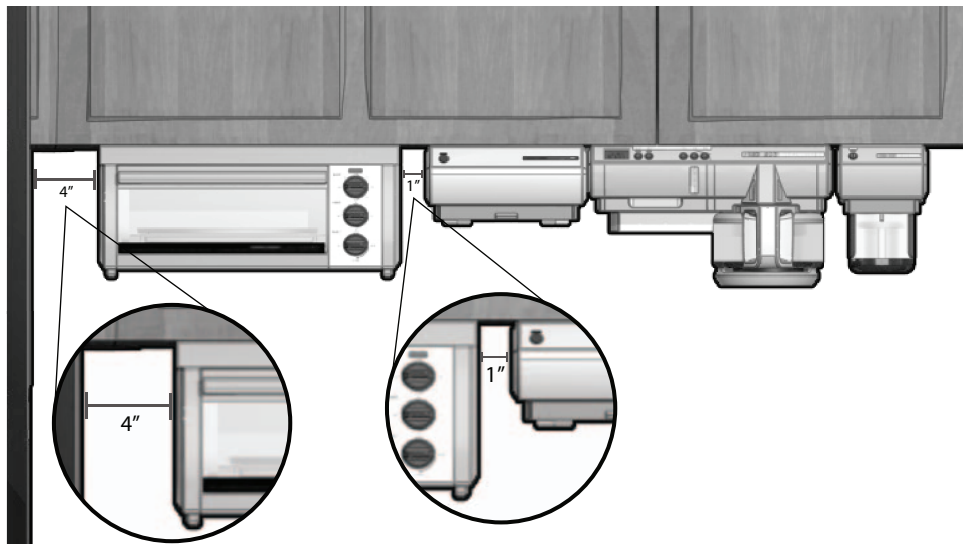
ESCOJA EL LUGAR ADECUADO

Cuando escoja un lugar de montaje, tome en cuenta lo siguiente:

- **ASEGÚRESE** de instalar el abrelatas con alcance a una toma de corriente.
- **TOME EN CUENTA** su patrón normal de trabajo en la cocina.
- **NO** instale el aparato sobre ningún aparato de cocinar ni de calentamiento, tal como la estufa o el horno.
- **NO** instale el aparato sobre el fregadero.
- **NO** instale el aparato detrás, debajo ni enfrente de los aparatos de iluminación con montaje debajo de los gabinetes.

Nota: Si usted instala múltiples aparatos †SpaceMaker™ y va a instalar su aparato al lado del horno SpaceMaker™ (**Fig. A.3**):

- Deje por lo menos 1" entre el lado donde se encuentra el panel de controles de su horno y la pared o el otro aparato que va a instalar.
- Deje por lo menos 4" entre el lado opuesto al panel de controles de su horno y la pared o el otro aparato que va a instalar. Los demás aparatos los puede instalar cada uno junto a otro.

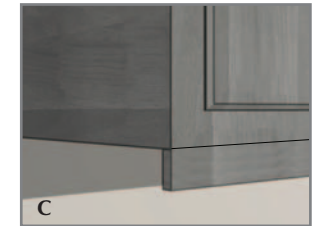
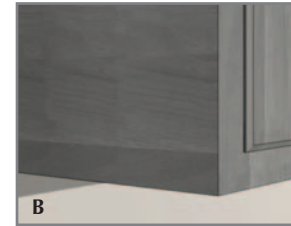


A.3

Nota: Si va a conectar este aparato en la misma toma de corriente que otro aparato †SpaceMaker™, por ejemplo un horno tostador o una cafetera, asegúrese de poder desconectar el aparato con facilidad después de haberlo utilizado.

DETERMINE EL TIPO DE GABINETE

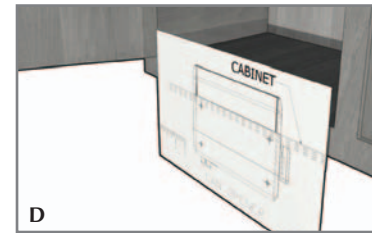
Antes de instalar el aparato, verifique si el gabinete tiene inferior plano (**B**) o saliente (**C**). Si el gabinete es de inferior plano, siga las instrucciones de MONTAJE ESTÁNDAR, y si el gabinete tiene montaje sobresaliente, consulte la sección de MONTAJE SOBRESALIENTE.



MONTAJE ESTÁNDAR (GABINETES DE INFERIOR PLANO)

Advertencia: Siempre use gafas de protección para la vista, a fin de evitar lesiones al perforar.

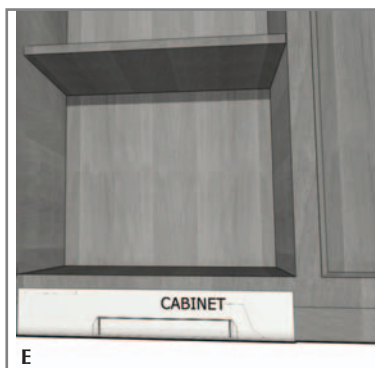
1. Despeje la superficie debajo del área de instalación para evitar que caiga polvo o sucio sobre los aparatos y demás artículos. Abra los gabinetes y vacíelos para facilitar el proceso de montaje.
2. Limpie el panel inferior del gabinete por la parte de arriba y de abajo.
3. Abra las puertas de los gabinetes y coloque la plantilla, a ras contra la superficie debajo del gabinete, asegurándose de que la línea gruesa de la plantilla quede alineada con el borde inferior delantero de gabinete (**D**).



Importante: No alinee los agujeros de los tornillos de la plantilla directamente debajo de la partición entre los gabinetes; el hacerlo evita la instalación apropiada del aparato. Preste atención adónde desea fijar los agujeros, de manera que no haya daño a los gabinetes durante el proceso de montaje. El perforar a través de la partición del gabinete puede ocasionar daño y evitar la instalación debida.

4. Doble la plantilla alrededor del borde del gabinete de forma que la línea gruesa quede alineada con el borde inferior delantero, estire la plantilla y pegue las 4 esquinas para fijarla en su lugar.

5. Use un taladro con broca de 6,3 mm (¼ pulg) y perforo desde abajo del gabinete, atravesando los 4 agujeros marcados en la plantilla (E).



Importante: Siempre asegúrese de perforar derecho a través de los agujeros marcados en la plantilla. El perforar angularmente puede evitar la instalación correcta del aparato y dañar los gabinetes si la broca llegase a perforar la partición.

6. Una vez que haya perforado los agujeros, despegue la cinta adhesiva y la plantilla de montaje.
7. Limpie el polvo y el sucio de la superficie inferior y superior del gabinete.
8. Por dentro del gabinete, coloque una arandela sobre cada uno de los 4 agujeros que ha perforado.
9. Sujete el aparato en su lugar, alineando la parte delantera del aparato con el borde frontal del gabinete; los agujeros perforados en el gabinete deben coincidir con los agujeros de montaje del aparato.
10. Deje caer cada uno de los tornillos a través de cada una de las arandelas, cubriendo así los agujeros en el gabinete de adentro hacia abajo.

Nota: Para determinar que tornillos debe usar, tenga en cuenta que cada tornillo debe sobresalirse del gabinete lo suficiente para que pueda asegurarse con una tuerca.

11. Use el destornillador desde adentro del gabinete y apriete los 4 tornillos para asegurar el aparato al gabinete.

Nota: Siempre apriete los tornillos para asegurar que no haya vibración mientras el aparato está en funcionamiento.

12. Hale el cable del compartimiento de almacenaje detrás del aparato y enchúfelo a una toma de corriente estándar. El cable sobrante se puede alimentar nuevamente en el compartimiento o se puede colgar sobre el gancho para manejo del cable, detrás del aparato (F).



Nota: Si va a conectar este aparato en la misma toma de corriente que otro aparato †SpaceMaker™, por ejemplo un horno tostador o una cafetera, asegúrese de poder desconectar el aparato con facilidad después de haberlo utilizado.

13. ¡Su aparato †SpaceMaker™ está listo para usar!

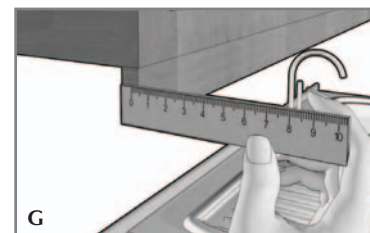
MONTAJE SOBRESALIENTE

Para gabinetes con labio saliente (vea la ilustración C)

Advertencia: Siempre use gafas de protección para la vista, a fin de evitar lesiones al perforar.

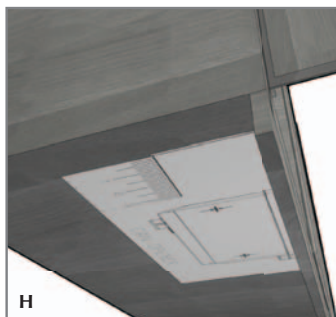
Nota: Se han provisto separadores en caso de que el gabinete tenga saliente en el borde delantero. Solamente use los separadores con los tornillos en la parte trasera del aparato, para asegurar que quede nivelada con la parte del frente.

1. Despeje la superficie debajo del área de instalación para evitar que caiga polvo o sucio sobre los aparatos y demás artículos. Abra los gabinetes y vacíelos para facilitar el proceso de montaje.
2. Limpie el panel inferior del gabinete por la parte de arriba y de abajo.
3. Use una regla para medir el grosor del labio saliente (G), anotando con precisión el número para uso en el siguiente paso.



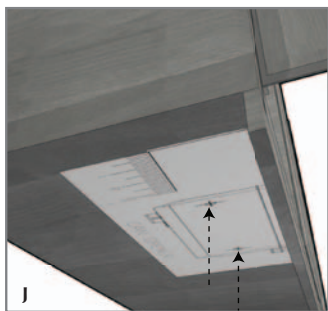
Nota: Si no tiene una regla, corte la regla de papel provista en el borde de la plantilla de montaje.

- Luego de medir el grosor del labio saliente, como se indica en la Ilustración G, observe las líneas discontinuas en la plantilla de montaje; cada línea tiene una medida al lado que indica el grosor del labio saliente que se usa para esa línea. Por ejemplo, si su gabinete tiene un saliente de $\frac{1}{2}$ " , usted debe usar la línea marcada $\frac{1}{2}$ " en la plantilla.
- Doble la plantilla por la línea discontinua que coincide con el grosor del labio saliente de su gabinete.
- Apoye la plantilla doblada contra el borde trasero del labio saliente, asegurando que los agujeros para taladrar queden de cara hacia abajo (**H**).



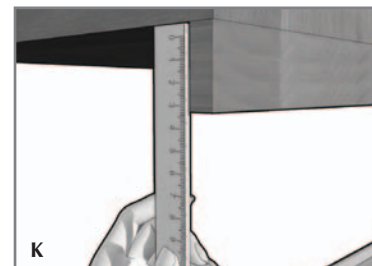
Importante: No alinee los agujeros de los tornillos de la plantilla directamente debajo de la partición entre los gabinetes; el hacerlo evita la instalación apropiada del aparato. Preste atención adónde desea fijar los agujeros, de manera que no haya daño a los gabinetes durante el proceso de montaje. El perforar a través de la partición del gabinete puede ocasionar daño y evitar la instalación debida.

- Pegue la plantilla con la cinta adhesiva, asegurándose de que el borde de la plantilla quede derecho, contra el borde trasero del labio saliente del gabinete.
- Use un taladro con broca de 6,3 mm ($\frac{1}{4}$ pulg) y perforo desde abajo del gabinete, atravesando los 4 agujeros marcados en la plantilla (**J**).



Importante: Siempre asegúrese de perforar derecho a través de los agujeros marcados en la plantilla. El perforar angularmente puede evitar la instalación correcta del aparato y dañar los gabinetes si la broca llegase a perforar la partición.

- Una vez que haya perforado los agujeros, despegue la cinta adhesiva y la plantilla de montaje.
- Limpie el polvo y el sucio del panel inferior del gabinete, por la parte de arriba y de abajo.
- Por dentro del gabinete, coloque una arandela sobre cada uno de los 4 agujeros que ha perforado.
- Mida la altura del saliente con una regla o con la regla de papel provista, colocándola verticalmente contra la parte de abajo del gabinete, detrás del saliente. Este número determina cuántos separadores se necesitan, que equivalen a la altura del saliente. Por ejemplo, un saliente de 1 pulg. requiere dos separadores de $\frac{1}{2}$ pulg. en cada agujero (**K**).



- Por dentro del gabinete, introduzca los tornillos sobre cada arandela en los agujeros ya perforados.

Nota: Para determinar que tornillos debe usar, tenga en cuenta que cada tornillo debe sobresalirse del gabinete lo suficiente para que pueda asegurarse con una tuerca.

- Según el paso No. 12, coloque el número de separadores necesarios en cada tornillo trasero para asegurar que el aparato quede nivelado (**L**).



Nota: Si el saliente de su gabinete es demasiado alto para que pueda acomodarse con la cantidad de separadores proporcionados, usted puede llamar al 1-800-231-9786 totalmente gratis y ordenar separadores adicionales, sin costo alguno.

Nota: Para la instalación de los separadores, es probable que se requiera asistencia a fin de sostener los separadores en su lugar mientras uno afianza el aparato al mismo tiempo. Si no tiene asistencia disponible, use una prensa pequeña para sujetar los separadores en su lugar mientras usted instala el aparato.

15. Una vez que los separadores hayan sido afianzados, sostenga el aparato hacia y apriete los tornillos para asegurarlo. Atornille desde el interior del gabinete para abajo.

Nota: Siempre apriete los tornillos para asegurar que no haya vibración mientras el aparato está en funcionamiento.

16. Hale el cable del compartimiento de almacenaje detrás del aparato y enchúfelo a una toma de corriente estándar. El cable sobrante se puede alimentar nuevamente en el compartimiento o se puede colgar sobre el gancho para manejo del cable, detrás del aparato (**vea F**).

Nota: Si usted está conectando este aparato al receptáculo de otro aparato †SpaceMaker™, como la tostadora o la cafetera, asegúrese de poder desenchufar el aparato fácilmente luego de usarlo.

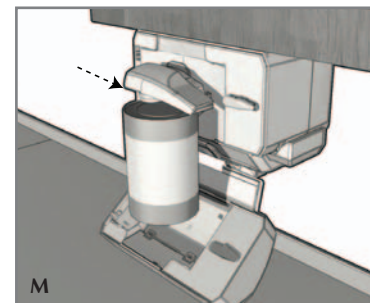
17. ¡Su aparato †SpaceMaker™ está listo para usar!

Como usar

Este producto es para uso doméstico solamente.

PARA ABRIR UNA LATA

1. Eleve la palanca.
2. Incline la lata de manera que el borde permanezca debajo de la guía de colocación y después presione la palanca, asegurándose de que la cuchilla se encuentre por dentro del borde de la lata (**M**).



Nota: Gracias a la característica de operación de manos libres, no es necesario presionar la palanca para abajo ni sostener las latas mientras uno las abre. Sin embargo, se recomienda sujetar aquellas latas demasiado altas o pesadas.

Nota: Una vez que la lata está abierta, el abrelatas para automáticamente.

3. Para retirar la lata, sujétela con una mano y con la otra, eleve la palanca del aparato.

Precaución: Evite el contacto con el borde de las latas y el de las tapas; estos bordes tienen filo. El abrelatas enrolla el borde de las latas durante el proceso de apertura, a fin de evitar los bordes cortantes; sin embargo, siempre se debe tener cuidado, especialmente con las tapas cuyos bordes permanecen sumamente afilados.

4. Retire cuidadosamente la tapa adherida al magneto.

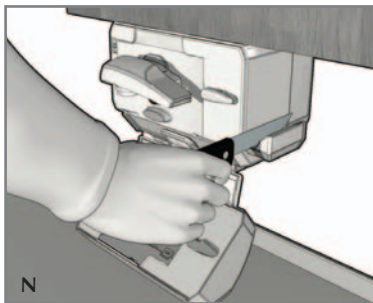
Consejos importantes:

- Este abrelatas no es capaz de abrir latas con guía de extracción, con tapas de papel de aluminio, latas sin bordes ni las que requieren llave.
- Los jugos congelados o los alimentos envasados en cartón se deben abrir en cuanto uno los retira del congelador.
- Las tapas de aluminio no se adhieren al magneto.

USO DEL AFILADOR DE CUCHILLOS

1. Para mejor resultado, afile la cuchilla entera en un movimiento continuo.
2. Inserte el extremo plano de la cuchilla en la ranura de afilar.

3. Presione la cuchilla con cuidado y hale hacia usted en movimiento continuo a través de ranura (N).



Importante: No afile la cuchilla en movimiento para adelante y atrás. Para evitar daño o el desgaste de la cuchilla al afilarla, hale a través de la ranura en una sola dirección en un movimiento lento y continuo.

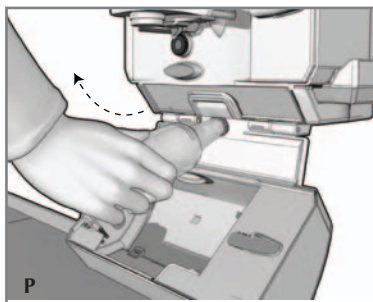
4. Repita hasta lograr el filo deseado.
5. Lave y seque la cuchilla antes de usarla nuevamente.

Consejos importantes:

- Tenga cuidado al lavar y secar los cuchillos después de afilarlos.
- No trate de afilar los cuchillos de sierra; el hacerlo desafilan los bordes cortantes.
- No use el afilador de este aparato para afilar tijeras.

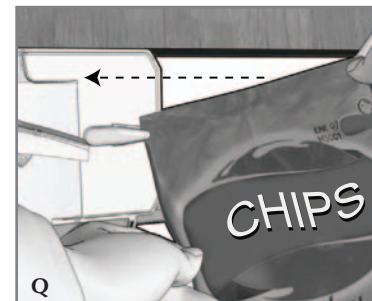
COMO USAR EL ABREBOTELLAS

1. Sujete la botella y coloque la tapa sobre el labio en la parte trasera del abrebotellas.
2. Incline la parte inferior de la botella, a fin de enganchar la tapa en el labio para abrir la botella (P).



COMO USAR EL CORTABOLSAS

1. Tome la bolsa plástica o metálica por una esquina, sujetando el borde superior con una mano y el costado o el fondo con la otra, dependiendo del tamaño de la bolsa.
2. Coloque la esquina de la bolsa contra el cortador y tire firmemente hacia la izquierda para abrir la bolsa (Q).



Nota: El tirar de la bolsa a lo largo del cortador, corta una línea en la parte superior de la bolsa; el tirar a un ángulo, simplemente corta la esquina.

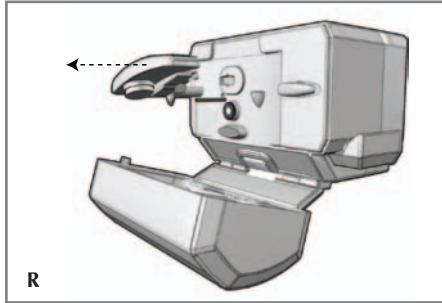
Cuidado y limpieza

Este producto no contiene piezas reemplazables por el consumidor. Para servicio, por favor acuda a personal calificado.

Importante: Desconecte el cable antes de limpiar el aparato.

COMO RETIRAR EL MONTAJE DE LA CUCHILLA

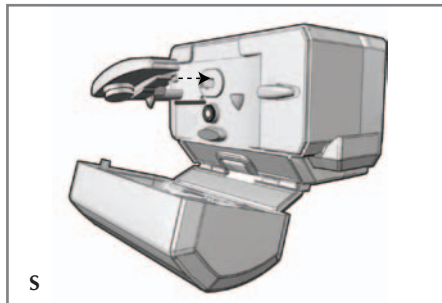
1. Eleve al máximo la palanca de perforar (aproximadamente el 90°).
2. Sujete el montaje de la cuchilla cuidadosamente y retírelo del abrelatas (**R**).



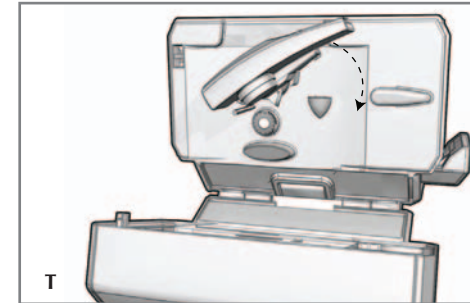
3. Lave a mano con agua jabonada y seque bien. No introduzca el montaje de la cuchilla en la máquina lavaplatos.
4. Antes de instalar el montaje de la cuchilla nuevamente, limpie el cuerpo del abrelatas, el afilador de cuchillos y la superficie alrededor de la rueda de mando con una esponja o con un paño ligeramente humedecido

COMO INSTALAR EL MONTAJE DE LA CUCHILLA

1. Alinee la guía del montaje de la cuchilla con la ranura de chaveta del aparato (**S**).



2. Presione el montaje de la cuchilla y gire a la derecha hasta encajar (**T**).



NEED HELP?

For service, repair or any questions regarding your appliance, call the appropriate 800 number on the cover of this book. **DO NOT** return the product to the place of purchase. Also, please **DO NOT** mail product back to the manufacturer, nor bring it to a service center. You may also want to consult the website listed on the cover of this manual.

Two-Year Limited Warranty (Applies only in the United States and Canada)

What does it cover?

- Any defect in material or workmanship; provided; however, Appliance's liability will not exceed the purchase price of the product.

For how long?

- Two years after the date of original purchase

What will we do to help you?

- Provide you with a reasonably similar replacement product that is either new or factory refurbished

How do you get service?

- Save your receipt as proof of the date of sale.
- Check our on-line service site at www.prodprotect.com/appliance, or call our toll-free number, 1-800-231-9786, for general warranty service
- If you need parts or accessories, please call 1-800-738-0245.

What does your warranty not cover?

- Damage from commercial use
- Damage from misuse, abuse or neglect
- Products that have been modified in any way
- Products used or serviced outside the country of purchase
- Glass parts and other accessory items that are packed with the unit
- Shipping and handling costs associated with the replacement of the unit
- Consequential or incidental damages (Please note, however, that some states do not allow the exclusion or limitation of consequential or incidental damages, so this limitation may not apply to you.)

How does state law relate to this warranty?

- This warranty gives you specific legal rights, and you may also have other rights that vary from state to state or province to province.

¿NECESITA AYUDA?

Para servicio, reparaciones o preguntas relacionadas al producto, por favor llame gratis al número "800" que aparece en la cubierta de este manual. **No** devuelva el producto al establecimiento de compra. **No** envíe el producto por correo al fabricante ni lo lleve a un centro de servicio. También puede consultar el sitio web que aparece en la cubierta de este manual.

Dos años de garantía limitada

(Aplica solamente en Estados Unidos o Canadá)

¿Qué cubre la garantía?

- La garantía cubre cualquier defecto de materiales o de mano de obra. Applica no se responsabiliza por ningún costo que exceda el valor de compra del producto.

¿Por cuánto tiempo es válida la garantía?

- Por dos años a partir de la fecha original de compra.

¿Qué clase de asistencia recibe el consumidor?

- El consumidor recibe un producto de reemplazo nuevo o restaurado de fábrica, parecido al original.

¿Cómo se obtiene el servicio necesario?

- Conserve el recibo original como comprobante de la fecha de compra.
- Se puede visitar el sitio web de asistencia al consumidor www.prodprotect.com/applica, o se puede llamar gratis al número 1-800-231-9786, para obtener información relacionada al servicio de garantía.
- Si necesita piezas o accesorios, por favor llame gratis al 1-800-738-0245.

¿Qué aspectos no cubre esta garantía?

- Los daños al producto ocasionados por el uso comercial
- Los daños ocasionados por el mal uso, abuso o negligencia
- Los productos que han sido alterados de cualquier manera
- Los productos utilizados o reparados fuera del país original de compra
- Las piezas de vidrio y demás accesorios empacados con el aparato
- Los gastos de tramitación y embarque relacionados con el reemplazo del producto
- Los daños y perjuicios indirectos o incidentales (sin embargo, por favor observe que algunos estados no permiten la exclusión ni la limitación de los daños y perjuicios indirectos ni incidentales, de manera que esta restricción podría no aplicar a usted).

¿Qué relación tiene la ley estatal con esta garantía?

- Esta garantía le otorga derechos legales específicos y el consumidor podría tener otros derechos que varían de una región a otra.

 **BLACK&DECKER** is a trademark of The Black & Decker Corporation, Towson, Maryland, USA
Marca registrada de *The Black & Decker Corporation*, Towson, Maryland, E.U.

†Spacemaker is a registered trademark of *General Electric Company*, USA.
†Spacemaker es una marca registrada de *General Electric Company*, EE.UU.



R32008/2-28-71E/S



Printed on recycled paper.
Impreso en papel reciclado.

Copyright © 2008 - 2009 Applica Consumer Products, Inc.

Made in People's Republic of China
Printed in People's Republic of China

Fabricado en la República Popular de China
Impreso en la República Popular de China

BLACK & DECKER®

†SPACE MAKER™

Save space and regain your counters in any kitchen with our full-line of space-saving appliances.

†SpaceMaker™ appliances can help tackle all your kitchen tasks while keeping your counters free of clutter!

Visit www.bdspacemaker.com to learn more about †SpaceMaker™ appliances and see our latest promotional offers.

Your countertops will thank you!

Toaster Oven

Can Opener

Coffeemaker

Mini Food Processor / Grinder



Horno tostador

Abrelatas

Cafetera

Mini procesador de alimentos / Molino

Ahorre espacio y recupere sus mostradores en cualquier cocina con nuestra línea completa de electrodomésticos que ahorran espacio.

¡†SpaceMaker™ puede ayudarlo con todas las tareas de la cocina sin ocupar mucho espacio!

Visite www.bdspacemaker.com para obtener más información sobre los electrodomésticos †SpaceMaker™ y enterarse de nuestras promociones más recientes.

¡Sus mostradores se lo agradecerán!