

GEORGE FOREMAN®

HEALTHY COOKING



Customer Care Line:

USA 1-800-231-9786

Accessories/Parts (USA)

1-800-738-0245

For **online customer service**

and to **register** your product, go to

www.prodprotect.com/applica

Model

Modelo

GRP101CT

Please Read and Save this Use and Care Book.

IMPORTANT SAFEGUARDS

When using electrical appliances, basic safety precautions should always be followed, including the following:

- Read all instructions.
- Do not touch hot surfaces. Use handles or knobs.
- To protect against electrical shock do not immerse cord, plugs or appliance (except removable plates) in water or other liquid.
- Close supervision is necessary when any appliance is used by or near children.
- Unplug from outlet when not in use and before cleaning. Allow to cool before putting on or taking off parts, and before cleaning the appliance.
- Do not operate any appliance with a damaged cord or plug, or after the appliance malfunctions or has been damaged in any manner. Return appliance to the nearest authorized service facility for examination, repair or adjustment. Or, call the appropriate toll-free number on the cover of this manual.
- The use of accessory attachments not recommended by the appliance manufacturer may cause injuries.
- Do not use outdoors.
- Do not let cord hang over edge of table or counter, or touch hot surfaces.
- Do not place on or near a hot gas or electric burner, or in a heated oven.
- Extreme caution must be used when moving an appliance containing hot oil or other hot liquids.
- To disconnect, turn any control to OFF (O), then remove plug from wall outlet.
- Do not use this appliance for other than intended use.
- Be sure that removable plates are assembled and fastened properly.
- The appliance is only to be operated in the closed position.

SAVE THESE INSTRUCTIONS.

This product is for household use only.

POLARIZED PLUG

This appliance has a polarized plug (one blade is wider than the other). To reduce the risk of electric shock, this plug is intended to fit into a polarized outlet only one way. If the plug does not fit fully into the outlet, reverse the plug. If it still does not fit, contact a qualified electrician. Do not attempt to modify the plug in any way.

TAMPER-RESISTANT SCREW

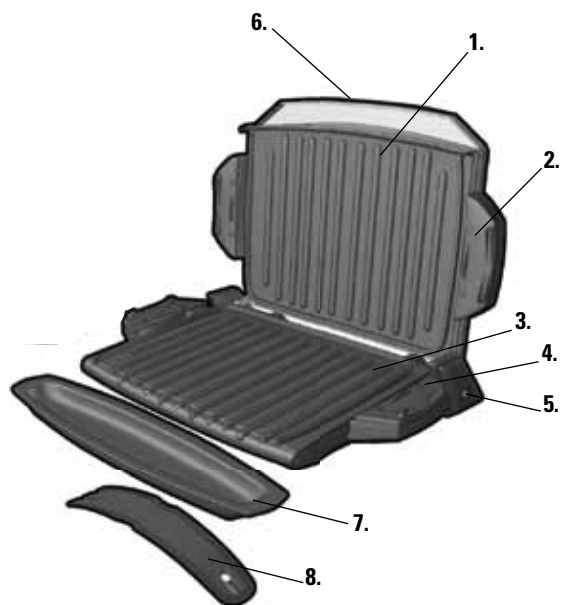
Warning: This appliance is equipped with a tamper-resistant screw to prevent removal of the outer cover. To reduce the risk of fire or electric shock, do not attempt to remove the outer cover. There are no user-serviceable parts inside. Repair should be done only by authorized service personnel.

ELECTRICAL CORD

- a) A short power-supply cord (or detachable power-supply cord) is to be provided to reduce the risk resulting from becoming entangled in or tripping over a longer cord.
- b) Longer detachable power-supply cords or extension cords are available and may be used if care is exercised in their use.
- c) If a long detachable power-supply cord or extension cord is used,
 - 1) The marked electrical rating of the detachable power-supply cord or extension cord should be at least as great as the electrical rating of the appliance,
 - 2) If the appliance is of the grounded type, the extension cord should be a grounding-type 3-wire cord, and
 - 3) The longer cord should be arranged so that it will not drape over the countertop or tabletop where it can be pulled on by children or tripped over.

Note: If the power supply cord is damaged, it should be replaced by qualified personnel; in Latin America, by an authorized service center.

Product may vary slightly from what is illustrated.



- † 1. Grill plate (upper) (Part # GRP101CTG-02)
- 2. Upper grill plate release handles (both sides)
- † 3. Grill plate (lower) (Part # GRP101CTG-01)
- 4. Lower grill plate release handles (both sides)
- 5. On/Off (I/O) switch
- 6. Preheat indicator light (not shown)
- † 7. Drip tray (Part # GRP101CTG-04)
- † 8. Spatula (Part # GRP1201CTG-03)
- 9. Adjustable angle bar (behind grill)

Note: † indicates consumer replaceable/removable parts

How to Use

This product is for household use only.

GETTING STARTED

- Remove all packing material and any stickers.
- Remove and save literature.
- Please go to www.prodprotect.com/applica to register your warranty.
- Wash all removable parts and/or accessories as instructed in CARE AND CLEANING section of this manual.
- Wipe grill plates with a damp cloth or sponge to remove any dust. Wipe dry with a soft cloth or paper towels.
- Select dry, level location where unit is to be used, leaving enough space between back of unit and wall to allow heat to flow without damage to cabinets and walls.

ATTACHING THE GRILL PLATES

Important: This appliance should always be used with 2 plates securely attached.

Note: When the plates are attached correctly, there will be no space between the top and bottom release handles when the grill is closed.

Caution: Attach plates when the appliance is cool.

1. Securely attach the top and bottom grill plates of the appliance using the release handles on each side of the plates.

Important: When attaching the plates, be sure they are securely attached using the release handles on each side of the plates.

DRIP TRAY

Place the drip tray under the front sloped section of the grill.

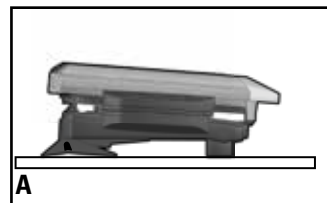
USING THE ADJUSTABLE ANGLE BAR

The adjustable angle bar is found at the back of the appliance. It can be used in 2 positions:

- The short stand that allows the appliance to cook in a flat, level position (**A**). This position is used for pressing Panini, as well as heating wraps and sandwiches.

Note: It is not necessary to use the drip tray when the grill is used in this position.

- The long stand tilts the grill at the optimal angle to allow fat and grease to drain away from the food being cooked into the drip tray below the grill (**B**).



Important: Make sure the drip tray is placed correctly at the front of the grill when using this position.

1. To change the position of the adjustable angle bar, make sure the grill is unplugged and cool to the touch.

- Lift the back of the appliance up at around a 45 degree angle and swing the bar out.
- Make sure the bar is in the desired position (short or long stand); then lower the back of the grill until it rests on the countertop.

PREHEATING THE GRILL

- Close cover on grill.
- Unwind cord and plug into standard electrical outlet.
- Press the On/Off (I/O) switch on bottom right side of the grill to ON (I) position to begin preheating. The preheat indicator light comes on to indicate that the elements are heating.
- Allow the grill to preheat (approximately 7.5 minutes) before grilling. When the desired temperature is reached, the preheat indicator light will go out.

Note: The preheat indicator light will cycle on and off during cooking to indicate your desired temperature is being maintained.

GRILLING

- Using a pot holder, carefully open the preheated grill.
 - Before first use, if desired, lightly oil grill plates.
- Note:** Aerosol cooking spray should not be used on nonstick surface. Chemicals can build up on surface of grill plates and reduce their efficiency.
- Carefully place foods to be cooked on lower grilling plate. This grill accommodates up to 6 servings, depending on the size of the food.

Note: Do not overload grill.

- Close cover and allow food to cook for selected time. If desired, use a kitchen timer.

Note: Use suggested cooking times found in the GRILLING CHART on pages 6, 7 and 8.

Important: Do not leave the appliance unattended during use.

- Light pressure can be used on the handle to press and heat food to your liking.

Important: Do not use heavy pressure on the lid of the grill at any time.

- After selected time, the food should be done. If you would prefer longer cooking, simply follow the steps, beginning at step 4.
- Using a pot holder, carefully open the grill cover.
- Remove cooked food using plastic spatula provided.

Note: Always use heatproof plastic or wood utensils to avoid scratching nonstick surface of grill plates. Never use metal skewers, tongs, forks or knives.

- Press On/Off (I/O) switch to turn grill off.

Important: Heating elements will continue to be ON until the On/Off (I/O) switch is pressed or the appliance is unplugged.

- Allow liquid in drip tray to cool before removing it from under grill. Wash and dry drip tray after each use.

SUGGESTED GRILLING CHART

The following are meant to be used as a guideline only. The times reflect a full grill of food. Cooking time will depend upon thickness and cut being used. Use a cooking thermometer as a test for doneness. If the food needs longer cooking, check periodically to avoid overcooking the food.

FOOD	COOKING TIME	COMMENTS
MEAT		
Fresh hamburger (5 oz.)	4 – 6 minutes	¾-inch thick Cooked to medium (160°F)
Frozen hamburger (5 oz.)	5 – 6 minutes	¾-inch thick Cooked to medium (160°F)
Flank steak (¾ lb.)	6 – 8 minutes	¾-inch thick Cooked to medium rare (145°F)
Skirt steak (½ lb.)	4 – 6 minutes	¾-inch thick Cooked to medium (160°F)
NY strip steak (shell steak) (6 oz.)	6 – 8 minutes	¾-inch thick Cooked to medium rare (145°F)
Beef tenderloin (5 oz.)	4 – 6 minutes	¾-inch thick Cooked to medium rare (145°F)
Beef kabobs	5 – 7 minutes	Cooked to medium (160°F)
Pork loin chops, boneless	4 – 6 minutes	¾-inch thick Cooked to 160°F
Pork loin chops, bone in	4 – 6 minutes	½ -inch thick Cooked to 160°F
Sausage, link or patty	4 – 6 minutes	Cooked to 160°F
Hot dogs	4 – 5 minutes	Cooked to 168°F
Bacon	6 – 8 minutes	Cooked until crisp
Smoked pork loin chops, boneless	4 – 6 minutes	Cooked to 160°F
Lamb chops, loin	5 – 7 minutes	¾-inch thick Cooked to medium (160°F)
POULTRY		
Chicken breast, boneless and skinless (8 oz.)	11 – 13 minutes	Cooked to 170°F
Chicken tenderloins 4 to 6 pieces	4 – 6 minutes	Cooked to 170°F

FOOD	COOKING TIME	COMMENTS
POULTRY		
Turkey tenderloin (½ lb.)	9 – 11 minutes	Cooked to 170°F
Turkey burgers (5 oz.)	4 – 6 minutes	Cooked to 170°F
FISH		
Tilapia fillets (6 oz., ea.)	5 – 7 minutes	Cooked to 145°F
Trout fillet (6 oz.)	4 – 6 minutes	Cooked to 145°F
Salmon fillet (8 oz. piece)	5 – 7 minutes	Cooked to 145°F
Salmon steak (6 – 8 oz.)	7 – 9 minutes	Cooked to 145°F
Tuna steak (6 oz.)	4 – 6 minutes	Cooked to 145°F
Shrimp	3 – 4 minutes	Cooked to 145°F

Please note: To be sure your food is fully cooked, the USDA recommends the following guidelines. Use a kitchen timer. Using a meat thermometer, test for doneness by inserting it into the center of the food being cooked. Make sure the thermometer is not touching the bone or grill plates.

FOOD TO BE COOKED	MEDIUM	WELL DONE OR FULLY COOKED
Chicken Breast		170°F
Chicken Thigh		180°F
Beef / Lamb / Veal	160°F	170°F
Pork		160°F
Reheated cooked meats and poultry		165°F

GRILLING FRUITS AND VEGETABLES

The following are meant to be used as a guideline only. The times reflect a full grill of food. Cooking time will depend upon thickness of food. Use a fork inserted into the center of the food to test for doneness. (Be careful not to touch the grill plate.) If the food needs longer cooking, check periodically to avoid overcooking the food. These foods can be grilled using the grill plates or on the griddle plate.

FOOD	GRILLING TIME
Asparagus spears	4 – 6 minutes
Bell peppers, assorted colors cut into ½-inch rings	5 – 7 minutes
Mushrooms, thickly sliced	4 – 5 minutes
Onion slices, ½-inch	5 – 7 minutes
Potato slices, ½-inch	15 – 18 minutes
Portabella mushrooms, 3-inch diameter	4 – 6 minutes
Zucchini slices, ½-inch	3 – 4 minutes
Fresh pineapple slices, ½-inch	2 – 4 minutes

GRILLING TIPS

- To prevent heat loss and for even cooking, do not open the lid frequently.
- Do not overfill grill.
- When first cooking a particular food, check for doneness several minutes before suggested time; if necessary, adjust time.
- When cooking several pieces of food, try to have them similar in size and thickness.
- Remember that since grill is cooking from both sides, cooking time will typically be shorter than expected. Watch carefully to avoid overcooking.
- For added flavor, add dry seasonings before grilling or marinate foods before cooking.

Important: Use only silicone, heatproof plastic and wooden utensils when cooking on the grill. Silicone utensils are especially good because they do not discolor or melt with the high temperature.

Care and Cleaning

This appliance contains no user-serviceable parts. Refer service to qualified service personnel.

CLEANING

Caution: To avoid accidental burns, allow grill to cool thoroughly before cleaning.

1. Before cleaning, unplug grill from wall outlet and allow to cool.

Important: Heating elements will continue to be ON until the On/Off (I/O) switch is pressed or the appliance is unplugged.

2. Place drip tray under front of grill. Use plastic spatula to scrape off any excess fat and food particles left on the grill plates; runoff will drip into the drip tray. Wipe plates dry with a paper towel or sponge to avoid grease dripping onto your counter when plates are removed.
3. Remove plates as instructed in HOW TO USE. To clean grill plates, wash in warm, soapy water; dry thoroughly with a soft cloth or paper towel.
4. Empty drip tray and wash in warm, soapy water; dry thoroughly with a paper towel.
5. Reinstall grill plates, making sure they are securely attached to grill body.

Note: Removable grill plates are also dishwasher safe. Dishwasher detergent may cause oxidation on uncoated side of grill plate. This is not harmful and can be wiped off with a damp towel. After washing grill plates in a dishwasher, wipe uncoated side with a dry towel to prevent discoloration.

6. To remove stubborn buildup, use a nylon or non-metallic scrubbing pad to clean the grill plates.

Important: Do not use metallic scrubbing pads, steel wool or any abrasive cleaners to clean any part of your grill; use only nylon or non-metallic scrubbing pads.

7. To clean the grill cover, wipe with a warm, wet sponge and dry with a soft, dry cloth.

Important: Do not immerse body of grill in water or any other liquid.

8. Any servicing requiring disassembly other than the above cleaning must be performed by a qualified electrician.

Caution: Make sure to hold grill cover by the handle while cleaning to prevent accidental closing and injury.

STORAGE

Always make sure grill is clean and dry before storing.

TROUBLESHOOTING

PROBLEM	POSSIBLE CAUSE	SOLUTION
Finish on grill plates is scratched or has cut marks.	Metal utensils have been used.	Always use heatproof plastic, silicone or wood utensils to avoid scratching nonstick surface of grill plates. Never use metal skewers, tongs, forks or knives.
Grill marks on food are very light. The food looks steamed.	Grill was not fully preheated before use.	Always preheat grill at least 7.5 minutes before cooking any foods.
There is food buildup on grill plates.	Grill not properly cleaned after use.	Use nylon scrubbing pad and hot, soapy water to clean grill plates. Do not use steel wool scrubbing pads or abrasive cleaners to clean grill plates.
Food is dry and burnt.	Food is overcooked.	Because grill is cooking from both sides, food is cooked much faster than in a skillet or under a broiler. Use SUGGESTED GRILLING CHART as a guide and check food at lowest time stated on chart.
Grill does not turn on.	Grill is not plugged in.	Check to be sure appliance is plugged into working outlet and On/Off (I/O) switch in the ON (I) position.
The grill plate has white spots on it.	The water from cleaning has dried on the surface of the grill plates.	Dry grill plate immediately after washing.

Por favor lea este instructivo antes de usar el producto.

INSTRUCCIONES IMPORTANTES DE SEGURIDAD

Cuando se usan aparatos eléctricos, siempre se deben respetar las siguientes medidas básicas de seguridad:

- Por favor lea todas las instrucciones.
- No toque las superficies calientes. Use las asas o las perillas.
- A fin de protegerse contra un choque eléctrico y lesiones a las personas, no sumerja el cable, los enchufes ni el aparato (con excepción de las placas desmontables) en agua ni en ningún otro líquido.
- Todo aparato eléctrico usado en la presencia de los niños o por ellos mismos requiere la supervisión de un adulto.
- Desconecte el aparato del tomacorriente cuando no esté en uso y antes de limpiarlo. Espere que el aparato se enfríe antes de instalarle o retirarle piezas y antes de limpiarlo.
- No use ningún aparato eléctrico que tenga el cable o el enchufe averiado, que presente un problema de funcionamiento o que esté dañado. Acuda a un centro de servicio autorizado para que lo examinen, reparen o ajusten o llame gratis al número correspondiente en la cubierta de este manual.
- El uso de accesorios no recomendados por el fabricante del aparato puede ocasionar incendio, choque eléctrico o lesiones a las personas.
- No use este aparato a la intemperie.
- No permita que el cable cuelgue del borde de la mesa o del mostrador ni que entre en contacto con superficies calientes.
- No coloque el aparato sobre ni cerca de las hornillas de gas o eléctricas ni adentro de un horno caliente.
- Tome mucha precaución al mover de un lugar a otro un aparato que contenga aceite u otros líquidos calientes.

- Para desconectar, ajuste todo control a la posición de apagado (0) y después, retire el enchufe del tomacorriente.
- Este aparato se debe usar únicamente con el fin previsto.
- Asegurese de que las placas removibles esten colocadas y ajustadas correctamente.
- Este aparato solo debe dejarse funcionar en posición cerrada.

**CONSERVE ESTAS INSTRUCCIONES.
Este aparato eléctrico es para uso doméstico
solamente.**

ENCHUFE POLARIZADO

Este aparato cuenta con un enchufe polarizado (un contacto es más ancho que el otro). A fin de reducir el riesgo de un choque eléctrico, este enchufe encaja en un tomacorriente polarizado en un solo sentido. Si el enchufe no entra en el tomacorriente, invírtalo y si aun así no encaja, consulte con un electricista. Por favor no trate de alterar esta medida de seguridad.

TORNILLO DE SEGURIDAD

Advertencia: Este aparato cuenta con un tornillo de seguridad para evitar la remoción de la cubierta exterior del mismo. A fin de reducir el riesgo de incendio o de choque eléctrico, por favor no trate de remover la cubierta exterior. Este producto no contiene piezas reparables por el consumidor. Toda reparación se debe llevar a cabo únicamente por personal de servicio autorizado.

CABLE ELÉCTRICO

- a) El producto se debe proporcionar con un cable eléctrico corto (o uno separable), a fin de reducir el riesgo de tropezar o de enredarse en un cable más largo.
- b) Existen cables eléctricos más largos y separables o cables de extensión que uno puede utilizar si toma el cuidado debido.
- c) Si se utiliza un cable separable o de extensión
 - 1) El régimen nominal del cable separable o del cable de extensión debe ser, como mínimo, igual al del régimen nominal del aparato.
 - 2) Si el aparato es de conexión a tierra, el cable de extensión debe ser un cable de tres alambres de conexión a tierra.
 - 3) Uno debe acomodar el cable más largo de manera que no cuelgue del mostrador o de la mesa, para evitar que un niño tire del mismo o que alguien se tropiece.

Nota: Si el cordón de alimentación no funciona o está dañado, si está en América Latina, debe ser sustituido por personal calificado, por el centro de servicio autorizado.

El producto puede variar ligeramente del que aparece ilustrado aquí.



- † 1. Placa de la parrilla desmontable (superior) (Pieza N° GRP101CTG-02)
- 2. Asas de liberación de la placa superior de la parrilla (ambos lados)
- † 3. Placa de la parrilla desmontable (inferior) (Pieza N° GRP101CTG-01)
- 4. Asas de liberación de la placa inferior de la parrilla (ambos lados)
- 5. Interruptor de encender/apagar (I/O)
- 6. Luz indicadora de precalentamiento (no mostrado)
- † 7. Bandeja de goteo (Pieza N° GRP101CTG-04)
- † 8. Espátula (Pieza N° GRP101CTG-03)
- 9. Barra angular ajustable (detrás de la parrilla)

Nota: † indica piezas desmontables/reemplazables por el consumidor

Como usar

Este producto es para uso doméstico únicamente.

PRIMEROS PASOS

- Elimine todo el material de embalaje y las etiquetas.
- Retire y conserve el material de lectura.
- Vaya a www.prodprotect.com/applica para registrar su garantía.
- Lave las piezas removibles y/o los accesorios según las instrucciones de CUIDADO Y LIMPIEZA de este manual.
- Desempolva las placas de la parrilla con un paño humedecido y séquelas bien con un paño suave o con toallas de papel.
- Seleccione un lugar seco, nivelado, sobre una superficie resistente al calor donde va a utilizar la unidad. Deje suficiente espacio entre la parte de atrás de la unidad y las paredes para permitir que el calor fluya sin causar daños a los gabinetes y a las paredes.

COLOCACIÓN DE LAS PLACAS DE LA PARRILLA

Importante: Este electrodoméstico siempre debe ser usado con las 2 placas de la parrilla bien colocadas.

Nota: Cuando las placas están ajustadas correctamente, no debe haber espacio entre las asas de liberación de arriba y de abajo al cerrar la parrilla.

Precaución: Coloque las placas cuando el electrodoméstico esté frío.

1. Sujete bien las placas superior e inferior de la parrilla del electrodoméstico usando las asas de liberación que están a cada lado de las placas.

Importante: Cuando coloque las placas de la parrilla, asegúrese de que estén bien sujetadas con las asas de liberación a cada lado de las placas.

BANDEJA DE GOTEO

Coloque la bandeja de goteo debajo de la parte delantera inclinada de la placa inferior de la parrilla.

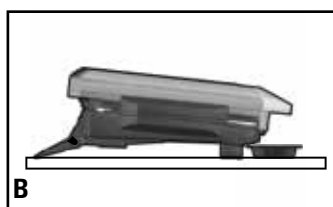
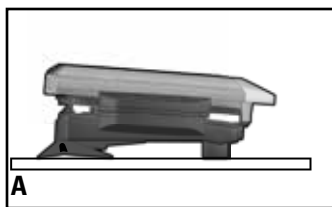
USO DE LA BARRA ANGULAR AJUSTABLE

La barra angular ajustable se encuentra en la parte de atrás del aparato. Se puede utilizar en 2 posiciones:

- La base corta permite cocinar con el aparato en posición plana (**A**). Esta posición se utiliza para prensar Panini, al igual que calentar envolturas o sándwiches.

Nota: No es necesario usar la bandeja de goteo cuando se utiliza la parrilla en esta posición.

- La base larga inclina la parrilla al ángulo óptimo para que la grasa se escurra de los alimentos que se cocinan, a la bandeja de goteo debajo de la parrilla (**B**).



Importante: Asegúrese de que la bandeja de goteo esté colocada correctamente al frente de la parrilla al usar esta posición.

1. Para cambiar la posición de la barra angular ajustable, asegúrese de que la parrilla esté desenchufada y fría al tacto.
2. Levante la parte de atrás del aparato aproximadamente a un ángulo de 45 grados y gire la barra hacia afuera.

Asegúrese de que la barra esté en la posición deseada (con la base corta o la larga); luego baje la parte de atrás de la parrilla hasta que descansa sobre el mostrador.

PRECALENTAMIENTO DE LA PARRILLA

1. Cierra la tapa de la parrilla.
2. Desenrolle el cable y enchúfelo a un tomacorriente eléctrico estándar.
3. Presione el interruptor de encender/apagar (I/O) en el lado derecho inferior de la plancha para colocarlo en la posición de encendido (I) y comenzar el precalentamiento. La luz indicadora de precalentamiento se enciende para indicar que los elementos de calefacción han sido activados.
4. Precaliente la parrilla (aproximadamente 7.5 minutos) antes de usarla. La luz se apagará cuando la parrilla haya alcanzado la temperatura deseada.

ALIMENTOS A LA PARRILLA

1. Con un agarrador, abra cuidadosamente la parrilla precalentada.
2. Antes del primer uso, cubra ligeramente las placas de la parrilla con aceite, si lo desea.

Nota: Nunca use rociadores de cocinar sobre las superficies antiadherentes de las placas. Los químicos de los rociadores, se acumulan en las superficies y reducen la eficiencia de las placas.

3. Coloque cuidadosamente los alimentos que desea cocinar en la placa inferior de la parrilla precalentada. Esta parrilla acomoda hasta 6 porciones, dependiendo del tamaño de los alimentos.

Nota: No sobrecargue la placa de cocción.

4. Cierre la tapa y permita que los alimentos se cocinen por el tiempo programado. Si desea, puede usar un cronómetro de cocina.

Nota: Use los tiempos de cocción sugeridos que se encuentran en la TABLA DE SUGERENCIAS PARA ASAR A LA PARRILLA en las páginas 18, 19 y 20.

Importante: No deje el electrodoméstico sin supervisión durante su uso.

5. Se puede ejercer una presión ligera en el tirador para presionar y calentar el alimento a su agrado.

Importante: Nunca utilice demasiada presión sobre la tapa de la parrilla.

6. Después del tiempo seleccionado, el alimento debería estar cocinado. Si prefiere cocinar sus alimentos por más tiempo, simplemente siga las instrucciones, comenzando con el paso número 4.
7. Con un agarrador, abra cuidadosamente la tapa de la parrilla.
8. Retire el alimento cocinado con la espátula de plástico suministrada.

Nota: Siempre utilice utensilios de plástico, nylon o madera resistentes al calor para evitar rayar la superficie antiadherente de las placas para asar. Nunca use pinchos, pinzas, tenedores o cuchillos de metal.

9. Presione el interruptor de encender/apagar (I/O) para apagar la plancha.

Importante: Los elementos de calentamiento seguirán estando encendidos hasta presionar el interruptor de encender/apagar (I/O) o hasta desenchufar el electrodoméstico.

10. Deje que el líquido en la bandeja de goteo se enfríe antes de retirarla de debajo de la parrilla. Lave y seque la bandeja de goteo después de cada uso.

TABLA DE SUGERENCIAS PARA ASAR A LA PARRILLA

Los siguientes valores se deben usar como guía únicamente. Los tiempos sugeridos corresponden a la capacidad completa de la parrilla. El tiempo de cocción depende del grosor y del corte utilizado. Use un termómetro de cocción para comprobar si el alimento está listo. Si el alimento necesita una cocción más prolongada, verifique periódicamente para evitar cocinarlo en exceso.

ALIMENTO	TIEMPO DE COCCIÓN	COMENTARIOS
CARNE		
Hamburguesas frescas 141,75 g (5 oz)	4 – 6 minutos	1,91 cm (¾ pulgada) de grosor Cocción a término medio 71 °C (160 °F)
Hamburguesas congeladas 141,75 g (5 oz)	5 – 6 minutos	1,91 cm (¾ pulgada) de grosor Cocción a término medio 71 °C (160 °F)
Bistec de vacío 340,19 g (¾ lb)	6 – 8 minutos	1,91 cm (¾ pulgada) de grosor Cocción a punto 63 °C (145 °F)
Bistec de falda 226,8 g (½ lb)	4 – 6 minutos	1,91 cm (¾ pulgada) de grosor Cocción a término medio 71 °C (160 °F)
Bistec tipo NY (del lomo corto) 170,1 g (6 oz)	6 – 8 minutos	1,91 cm (¾ pulgada) de grosor Cocción a punto 63 °C (145 °F)
Filete de carne de res 141,75 g (5 oz)	4 – 6 minutos	1,91 cm (¾ pulgada) de grosor Cocción a punto 63 °C (145 °F)
Pinchos de carne de res	5 – 7 minutos	Cocción a término medio 71 °C (160 °F)
Chuletas de lomo de puerco, deshuesadas	4 – 6 minutos	1,91 cm (¾ pulgada) de grosor Cocción a 71 °C (160 °F)
Chuletas de lomo de puerco, con hueso	4 – 6 minutos	1,27 cm (½ pulgada) de grosor Cocción a 71 °C (160 °F)
Embutido, salchichita o pati	4 – 6 minutos	Cocción a 71 °C (160 °F)
Hot dogs	4 – 5 minutos	Cocción a 75,5 °C (168 °F)
Tocino	6 – 8 minutos	Cocinado hasta estar crujiente
Chuletas de lomo de puerco ahumadas, deshuesadas	4 – 6 minutos	Cocción a 71 °C (160 °F)
Chuletas de cordero, lomo	5 – 7 minutos	1,91 cm (¾ pulgada) de grosor Cocción a término medio 71 °C (160 °F)

ALIMENTO	TIEMPO DE COCCIÓN	COMENTARIOS
AVES		
Pechuga de pollo, deshuesada y sin piel 226,8 g (8 oz)	11 – 13 minutos	Cocción a 77 °C (170 °F)
Lomitos de pollo (4 a 6 trozos)	4 – 6 minutos	Cocción a 77 °C (170 °F)
Lomo de pavo 340,19 g (¾ lb)	9 – 11 minutos	Cocción a 77 °C (170 °F)
Hamburguesas de pavo 141,75 g (5 oz)	4 – 6 minutos	Cocción a 77 °C (170 °F)
PESCADO		
Filetes de tilapia 170,1 g (6 oz) c/u	5 – 7 minutos	Cocción a 63 °C (145 °F)
Filete de trucha 170,1 g (6 oz)	4 – 6 minutos	Cocción a 63 °C (145 °F)
Filete de salmón 226,8 g (8 oz) por pieza	5 – 7 minutos	Cocción a 63 °C (145 °F)
Bistec de salmón 226,8 g (8 oz)	7 – 9 minutos	Cocción a 63 °C (145 °F)
Bistec de atún 170,1 g (6 oz)	4 – 6 minutos	Cocción a 63 °C (145 °F)
Langostinos	3 – 4 minutos	Cocción a 63 °C (145 °F)

Tenga en cuenta: Para asegurarse de que su alimento esté completamente cocinado, el Departamento de Agricultura de los Estados Unidos (United States Department of Agriculture, USDA) recomienda las siguientes pautas. Use un termómetro para carnes para comprobar si el alimento está listo insertando el termómetro para carnes en el centro del alimento que está cocinando y asegúrese de que el termómetro no toque el hueso o las placas.

ALIMENTO PARA COCINAR	TÉRMINO MEDIO	BIEN COCIDO O TOTALMENTE COCIDO	
Pechuga de pollo		170 °F	77 °C
Muslo de pollo		180 °F	82 °C
Carne de res/Cordero/Ternera	160 °F 71 °C	170 °F	77 °C
Puerco		160 °F	71 °C
Carne de res y ave cocidas recalentadas		165 °F	74 °C

COMO ASAR FRUTAS Y VERDURAS A LA PLANCHA

Los siguientes valores se deben usar como guía únicamente. Los tiempos sugeridos corresponden a la capacidad completa de la plancha. El tiempo de cocción depende del grosor del alimento. Introduzca un tenedor en el centro del alimento para comprobar si está listo. (Tenga cuidado de no tocar la placa de la plancha.) Si el alimento necesita una cocción más prolongada, verifique periódicamente para evitar cocinarlo en exceso. Estos alimentos pueden cocinarse sobre las placas de la parrilla o de la plancha.

ALIMENTO	TIEMPO PARA ASAR A LA PLANCHA
Racimos de espárragos	4 – 6 minutos
Pimientos, diversos colores cortados en aros de 1,27 cm (½ pulgada)	5 – 7 minutos
Hongos, en rebanadas gruesas	4 – 5 minutos
Rebanadas de cebolla, 1,27 cm (½ pulgada)	5 – 7 minutos
Rebanadas de papa, 1,27 cm (½ pulgada)	15 – 18 minutos
Hongos portobello, 7,62 cm (3 pulgadas) de diámetro	4 – 6 minutos
Rebanadas de zucchini, 1,27 cm (½ pulgada)	3 – 4 minutos
Rodajas de piña fresca, 1,27 cm (½ pulgada)	2 – 4 minutos

CONSEJOS PARA ASAR A LA PARRILLA

- Para impedir la pérdida de calor y generar una cocción pareja, no abra la tapa de la parrilla frecuentemente durante la cocción.
- No llene la parrilla en exceso.
- Al cocinar por primera vez un alimento específico, compruebe si está listo varios minutos antes del tiempo sugerido; si es necesario, ajuste el temporizador con el botón de control.
- Si cocina más de un trozo de alimento, intente que tengan un tamaño y grosor similares.
- Recuerde que, dado que la parrilla cocina de ambos lados, el tiempo de cocción será típicamente más corto que lo esperado. Preste atención para evitar cocinar en exceso.
- Para obtener un sabor más intenso, agregue los condimentos secos antes de asar a la parrilla o marine los alimentos antes de cocinarlos.

Importante: Para cocinar en esta parrilla, use solamente utensilios de madera, plástico o silicona. Se recomienda especialmente los utensilios de silicona, ya que no se descoloran ni se derriten a temperaturas altas.

Cuidado y limpieza

Este aparato no contiene piezas reparables por el consumidor. Para servicio, por favor acuda a personal calificado.

LIMPIEZA

Precaución: Para evitar quemaduras accidentales, espere hasta que la parrilla se enfríe completamente antes de limpiarla.

1. Antes de limpiar, desenchufe la parrilla del tomacorriente y deje que se enfríe.

Importante: Los elementos de calentamiento continuarán encendidos hasta presionar el interruptor de encender/apagar (I/O) o hasta desenchufar el electrodoméstico.

2. Coloque una bandeja de goteo debajo del frente de la parrilla. Use la espátula de plástico para raspar el exceso de grasa y las partículas de alimentos que queden en las placas de la parrilla; el residuo líquido caerá en la bandeja de goteo. Seque las placas con una toalla de papel o esponja para evitar que la grasa gotee sobre la superficie de trabajo al retirar las placas.

3. Retire las placas según se indica en la sección COMO USAR. Para limpiar las placas de la parrilla, lávelas con agua templada en jabón; séquela bien con una toalla de papel.

4. Vacíe la bandeja de goteo y lávela con agua templada en jabón; séquela bien con un paño suave o una toalla de papel.

5. Vuelva a instalar las placas de la parrilla, y asegúrese de que estén firmemente sujetas a la estructura de la parrilla.

Nota: Las placas desmontables de la parrilla se pueden lavar en una máquina lavaplatos. El detergente para lavaplatos puede provocar oxidación del lado de la placa de la parrilla que no está protegida. Esto no es dañino y puede quitarse con una toalla húmeda. Después de lavar las placas de la parrilla en una máquina lavaplatos, limpie el lado no recubierto con una toalla de papel para evitar que se decolore.

6. Para eliminar los residuos difíciles, use una esponjilla de nailon o no metálica para limpiar las placas de la parrilla.

Importante: No use esponjillas metálicas, lana de acero, ni limpiadores abrasivos para limpiar ninguna parte de la parrilla; use únicamente esponjillas de nailon o no metálicas.

7. Para limpiar la tapa de la parrilla, limpie con una esponja húmeda templada y seque con un trapo seco suave.

Importante: No sumerja la estructura de la parrilla en agua ni en ningún otro líquido.

8. Cualquier servicio técnico que requiera desarmar la parrilla, además de la limpieza mencionada, debe ser realizado por un electricista calificado.

Precaución: Asegúrese de sujetar la tapa de la parrilla por el asa al limpiarla para evitar que se cierre accidentalmente y provoque lesiones.

ALMACENAMIENTO

Siempre asegúrese de que la parrilla esté limpia y seca antes de almacenarla.

RESOLUCIÓN DE PROBLEMAS O FALLAS

PROBLEMA	CAUSA POSIBLE	SOLUCIÓN
Las terminaciones de las placas de la parrilla tienen marcas de cortes.	Se han utilizado utensilios de metal.	Siempre use utensilios de silicona, plástico o madera antitérmicos para evitar rayar la superficie antiadherente de las placas de la parrilla. Nunca use espetones, pinzas, tenedores ni cuchillos de metal.
Las marcas del asado a la parrilla en los alimentos son muy leves.	No se precalentó la parrilla completamente antes de usarla.	Siempre precaliente la parrilla, por lo menos, 7.5 minutos antes de cocinar cualquier alimento.
Hay acumulación de comida en las placas de la parrilla.	No se limpió la parrilla correctamente después de usarla.	Use esponjillas de nailon y agua caliente en jabón para limpiar las placas de la parrilla. No use esponjillas de lana de acero ni limpiadores abrasivos para limpiar las placas de la parrilla.
El alimento está seco y quemado.	El alimento se ha cocinado en exceso.	Dado que la parrilla cocina de ambos lados, los alimentos se cocinan mucho más rápido que en una sartén o en un asador. Use la TABLA DE SUGERENCIAS como guía y revise el alimento cuando haya pasado el tiempo más bajo establecido en la tabla.

PROBLEMA	CAUSA POSIBLE	SOLUCIÓN
La plancha no enciende.	La plancha no está enchufada.	Compruebe que el electrodoméstico esté enchufado en un tomacorriente que funcione y que el interruptor de encender/apagar (I/O) esté en la posición de encendido (I).
La parrilla tiene manchas blancas.	El agua de fregar se ha secado sobre la superficie de las placas de la parrilla.	Seque la placa inmediatamente después de lavarla.

NOTAS

NEED HELP?

For service, repair or any questions regarding your appliance, call the appropriate 800 number on cover of this book. Please DO NOT return the product to the place of purchase. Also, please DO NOT mail product back to manufacturer, nor bring it to a service center. You may also want to consult the website listed on the cover of this manual.

Three-Year Limited Warranty (Applies only in the United States and Canada)

What does it cover?

- Any defect in material or workmanship provided; however, Aplica's liability will not exceed the purchase price of product.

For how long?

- Three years from the date of original purchase with proof of such purchase.

What will we do to help you?

- Provide you with a reasonably similar replacement product that is either new or factory refurbished.

How do you get service?

- Save your receipt as proof of date of sale.
- Check our on-line service site at www.prodprotect.com/applica, or call our toll-free number, 1-800-231-9786, for general warranty service.
- If you need parts or accessories, please call 1-800-738-0245.

What does your warranty not cover?

- Damage from commercial use
- Damage from misuse, abuse or neglect
- Products that have been modified in any way
- Products used or serviced outside the country of purchase
- Glass parts and other accessory items that are packed with the unit
- Shipping and handling costs associated with the replacement of the unit
- Consequential or incidental damages (Please note, however, that some states do not allow the exclusion or limitation of consequential or incidental damages, so this limitation may not apply to you.)

How does state law relate to this warranty?

- This warranty gives you specific legal rights, and you may also have other rights that vary from state to state or province to province.

Made in People's Republic of China
Printed in People's Republic of China

¿NECESITA AYUDA?

Para servicio, reparaciones o preguntas relacionadas al producto, por favor llame gratis al número "800" que aparece en la cubierta de este manual. No devuelva el producto al establecimiento de compra. No envíe el producto por correo al fabricante ni lo lleve a un centro de servicio. También puede consultar el sitio web que aparece en la cubierta de este manual.

Tres años de garantía limitada (Aplica solamente en Estados Unidos o Canadá)

¿Qué cubre la garantía?

- La garantía cubre cualquier defecto de materiales o de mano de obra. Aplica no se responsabiliza por ningún costo que exceda el valor de compra del producto.

¿Por cuánto tiempo es válida la garantía?

- Por tres años a partir de la fecha original de compra mientras que tenga una prueba de la compra.

¿Qué clase de asistencia recibe el consumidor?

- El consumidor recibe un producto de reemplazo nuevo o restaurado de fábrica, parecido al original.

¿Cómo se obtiene el servicio necesario?

- Conserve el recibo original como comprobante de la fecha de compra.
- Se puede visitar el sitio web de asistencia al consumidor www.prodprotect.com/applica, o se puede llamar gratis al número 1-800-231-9786, para obtener información relacionada al servicio de garantía.
- Si necesita piezas o accesorios, por favor llame gratis al 1-800-738-0245.

¿Qué aspectos no cubre esta garantía?

- Los daños al producto ocasionados por el uso comercial
- Los daños ocasionados por el mal uso, abuso o negligencia
- Los productos que han sido alterados de cualquier manera
- Los productos utilizados o reparados fuera del país original de compra
- Las piezas de vidrio y demás accesorios empacados con el aparato
- Los gastos de tramitación y embarque relacionados con el reemplazo del producto
- Los daños y perjuicios indirectos o incidentales (sin embargo, por favor observe que algunos estados no permiten la exclusión ni la limitación de los daños y perjuicios indirectos ni incidentales, de manera que esta restricción podría no aplicar a usted).

¿Qué relación tiene la ley estatal con esta garantía?

- Esta garantía le otorga derechos legales específicos y el consumidor podría tener otros derechos que varían de una región a otra.

Fabricado en la República Popular de China
Impreso en la República Popular de China



Copyright © 2010 Applica Consumer Products, Inc.

2010/4-8-34E/S