

GEORGE FOREMAN®

HEALTHY COOKING



Customer Care Line:

USA 1-800-231-9786

Accessories/Parts (USA)

1-800-738-0245

For **online customer service**
and to **register** your product, go to
www.prodprotect.com/applica

Servicio para el cliente:

México 01-800 714-2503

Accesorios/Partes (EE.UU.)

1-800-738-0245

Para **servicio al cliente** y para **registrar**
su garantía visite

www.prodprotect.com/applica

Model

Modelo

GRP4B

IMPORTANT SAFEGUARDS

When using electrical appliances, basic safety precautions should always be followed, including the following:

- Read all instructions.
- Do not touch hot surfaces. Use handles or knobs.
- To protect against electrical shock do not immerse cord, plugs or appliance (except removable plates) in water or other liquid.
- Close supervision is necessary when any appliance is used by or near children.
- Unplug from outlet when not in use and before cleaning. Allow to cool before putting on or taking off parts.
- Do not operate any appliance with a damaged cord or plug, or after the appliance malfunctions or has been damaged in any manner. Return appliance to the nearest authorized service facility for examination, repair or adjustment. Or, call the appropriate toll-free number on the cover of this manual.
- The use of accessory attachments not recommended by the appliance manufacturer may cause injuries.
- Do not use outdoors.
- Do not let cord hang over edge of table or counter, or touch hot surfaces.
- Do not place on or near a hot gas or electric burner, or in a heated oven.
- Extreme caution must be used when moving an appliance containing hot oil or other hot liquids.
- Be sure that removable plates are assembled and fastened properly. (See page 5 "ATTACHING THE GRILL PLATES" for further directions.)
- To disconnect, remove plug from wall outlet.
- Do not use this appliance for other than intended use.
- The appliance is only to be operated in the closed position.

SAVE THESE INSTRUCTIONS.

This product is for household use only.

POLARIZED PLUG (120 V Models Only)

This appliance has a polarized plug (one blade is wider than the other). To reduce the risk of electric shock, this plug is intended to fit into a polarized outlet only one way. If the plug does not fit fully into the outlet, reverse the plug. If it still does not fit, contact a qualified electrician. Do not attempt to modify the plug in any way.

TAMPER-RESISTANT SCREW

Warning: This appliance is equipped with a tamper-resistant screw to prevent removal of the outer cover. To reduce the risk of fire or electric shock, do not attempt to remove the outer cover. There are no user-serviceable parts inside. Repair should be done only by authorized service personnel.

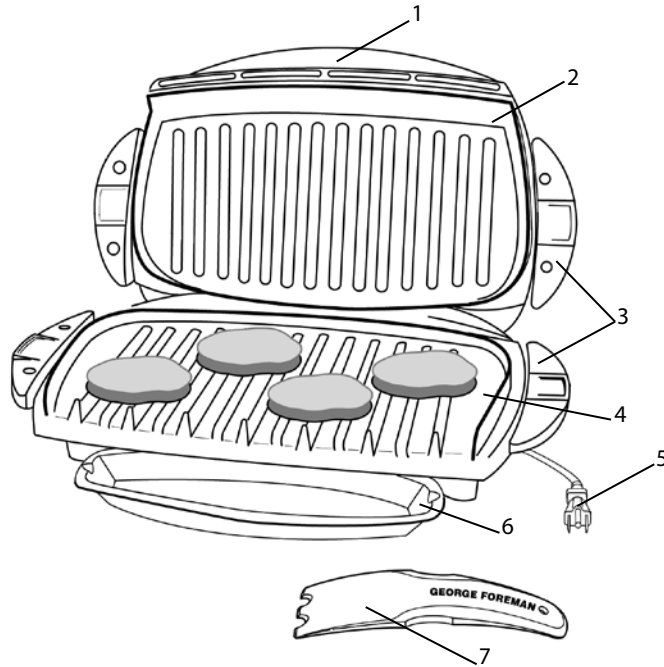
ELECTRICAL CORD

- a) A short power-supply cord is to be provided to reduce the risk resulting from becoming entangled in or tripping over a longer cord.
- b) Longer extension cords are available and may be used if care is exercised in their use.
- c) If an extension cord is used,
 - 1) The marked electrical rating of the cord set or extension cord should be at least as great as the electrical rating of the appliance, and
 - 2) The cord should be arranged so that it will not drape over the countertop or tabletop where it can be pulled on by children or tripped over unintentionally.

If the appliance is of the grounded type, the extension cord should be a grounding-type 3-wire cord.

Note: If the power supply cord is damaged, it should be replaced by qualified personnel or in Latin America by an authorized service center.

Product may vary slightly from what is illustrated.



1. Handle
- † 2. Top removable grill plate (Part # 22618U)
3. Plate release handles (both sides)
- † 4. Bottom removable grill plate (Part # 22618L)
5. Power cord
- † 6. Drip tray (Part # 22545)
- † 7. Spatula (Part # 22619)

Nota: † indicates consumer replaceable/removable parts

How to Use

This product is for household use only.

GETTING STARTED

- Remove all packing material and, if applicable, any stickers from the product; remove and save literature.
- Please go to www.prodprotect.com/applica to register your warranty; for additional information go to www.georgeforemancooking.com.
- Wash all removable parts and/or accessories as instructed in CARE AND CLEANING.
- Select a dry, level location where your grill will be used, leaving enough space between the back of grill and wall to allow heat to flow without damage to cabinets and walls.

ATTACHING THE PLATES

Important: This appliance must always be used with two plates securely attached.

Caution: Attach grill plates when the appliance is cool.

1. Securely attach top removable grill plate using the release handles on each side. To secure the plate, press in on both release handles, set the plate on the grill, then release the handles.
2. Securely attach the bottom grill plate using the release handles as described in Step 1.

Tip: When the plates are properly attached, there will be no space between the top and bottom release handles when the grill is closed.

DRIP TRAY

Place drip tray under the front sloped section of the grill.

PREHEATING THE GRILL

1. Close cover on grill.
2. Unwind cord and plug into an outlet. The preheat indicator light turns on to show the grill is heating.
3. Allow the grill to preheat (approximately 5 minutes) before grilling. When the selected temperature is reached, the preheat indicator light will go out.

Note: The preheat indicator light will turn on and off during cooking to indicate your desired temperature is being maintained.

GRILLING

1. Using a pot holder, carefully open the preheated grill.

Note: The George Tough™ nonstick coating on the plates is designed to work without oil, butter or cooking spray. If desired, you may use oil or butter. However, aerosol cooking spray should never be used; chemicals that allow spray to come out of can build up on the surface of the plates and reduce their efficiency.

2. Carefully place foods to be cooked on bottom grill plate. This grill accommodates up to 3 – 4 servings.

Note: Do not overload grill.

3. Close the cover and allow food to cook for the selected time. If desired, use a kitchen timer.

Note: Use suggested cooking times found in the GRILLING CHART on pages 6 – 8.

Important: Do not leave the appliance unattended during use.

4. Light pressure can be used on the handle to press and heat food to your liking.

Important: Do not use heavy pressure on the handle of the grill at any time.

5. After selected time, the food should be done. If you would prefer longer cooking, simply follow the steps beginning at step 3.

6. Once cooking is complete, carefully open the grill cover using a pot holder.

7. Remove cooked food using plastic spatula provided.

Note: Always use silicone, heatproof plastic or wood utensils to avoid scratching nonstick surface of grill plates. Never use metal spatulas, skewers, tongs, forks or knives.

8. When finished cooking, unplug the appliance.

Important: Heat will continue to be ON until the appliance is unplugged.

9. Allow liquid in drip tray to cool before removing it from under grill. Wash and dry drip tray after each use.

GRILLING CHART

The following times are meant to be used as a guideline only. The times reflect a full grill of food. Cooking time will depend upon thickness and cut being used. Use a meat thermometer as a test for doneness. If the food needs longer cooking, check periodically to avoid overcooking the food.

FOOD	COOKING TIME	COMMENTS
MEAT		
Fresh hamburger (5 oz.)	4 – 6 minutes	¾-inch thick Cooked to medium (160°F)
Frozen hamburger (5 oz.)	5 – 6 minutes	¾-inch thick Cooked to medium (160°F)
Flank steak (¾ lb.)	6 – 8 minutes	¾-inch thick Cooked to medium rare (145°F)
Skirt steak (½ lb.)	4 – 6 minutes	¾-inch thick Cooked to medium (160°F)
NY strip steak / Shell steak (6 oz.)	6 – 8 minutes	¾-inch thick Cooked to medium rare (145°F)
Beef tenderloin (5 oz.)	4 – 6 minutes	¾-inch thick Cooked to medium rare (145°F)
Beef kabobs	5 – 7 minutes	Cooked to medium (160°F)

FOOD	COOKING TIME	COMMENTS
MEAT		
Pork loin chops, boneless	4 – 6 minutes	¾-inch thick Cooked to 160°F
Pork loin chops, bone in	4 – 6 minutes	½-inch thick Cooked to 160°F
Sausage, link or patty	4 – 6 minutes	Cooked to 160°F
Hot dogs	4 – 5 minutes	Cooked to 168°F
Bacon	6 – 8 minutes	Cook until crisp
Smoked pork loin chops, boneless	4 – 6 minutes	Cooked to 160°F
Lamb chops, loin	5 – 7 minutes	¾-inch thick Cooked to medium (160°F)
POULTRY		
Chicken breast, boneless and skinless (8 oz.)	11 – 13 minutes	Cooked to 170°F
Chicken tenderloins (4 to 6 pieces)	4 – 6 minutes	Cooked to 170°F
Turkey tenderloin (½ lb.)	9 – 11 minutes	Cooked to 170°F
Turkey burgers (5 oz.)	4 – 6 minutes	Cooked to 170°F
FISH		
Tilapia fillets (6 oz., ea.)	5 – 7 minutes	Cooked to 145°F
Trout fillet (6 oz.)	4 – 6 minutes	Cooked to 145°F
Salmon fillet (8 oz. piece)	5 – 7 minutes	Cooked to 145°F
Salmon steak (6 – 8 oz.)	7 – 9 minutes	Cooked to 145°F
Tuna steak (6 oz.)	4 – 6 minutes	Cooked to 145°F
Shrimp	3 – 4 minutes	Cooked to 145°F

Please Note: To be sure your food is fully cooked, the USDA recommends the following guidelines. Use a kitchen timer. Using a meat thermometer, test for doneness by inserting the thermometer into the center of the food being cooked; make sure the thermometer is not touching the bone or grill plates.

FOOD TO BE COOKED	MEDIUM	WELL DONE OR FULLY COOKED
Chicken breast		170°F
Chicken thigh		180°F
Beef / Lamb / Veal	160°F	170°F
Pork		160°F
Reheated cooked meats and poultry		165°F

GRILLING FRUITS AND VEGETABLES

The following times are meant to be used as a guideline only. The times reflect a full grill of food. Cooking time will depend upon thickness of food. Use a fork inserted into the center of the food to test for doneness. (Be careful not to touch the grill plates.) If the food needs longer cooking, check periodically to avoid overcooking the food.

FOOD	COOKING TIME
Asparagus spears	4 – 6 minutes
Bell peppers, assorted colors cut into ½-inch rings	5 – 7 minutes
Mushrooms , thickly sliced	4 – 5 minutes
Onion slices, ½-inch	5 – 7 minutes
Potato slices, ½-inch	15 – 18 minutes
Portabella mushrooms, 3-inch diameter	4 – 6 minutes
Zucchini slices, ½-inch	3 – 4 minutes
Fresh pineapple slices, ½-inch	2 – 4 minutes

GRILLING TIPS

- To prevent heat loss and for even cooking, do not open the grill cover frequently.
- For best results, do not overload the grill
- When first cooking a particular food, check for doneness several minutes before suggested time; if necessary adjust the time.
- When cooking several pieces of food, try to have them similar in size and thickness.
- Remember that since grill is cooking from both sides, cooking time will typically be shorter than expected. Watch carefully to avoid overcooking.
- For added flavor, add dry seasonings or marinate foods before grilling.

Important: Use only silicone, heatproof plastic and wooden utensils when cooking on the grill. Silicone utensils are especially good because they do not discolor or melt with the high temperature.

Care and Cleaning

This appliance contains no user-serviceable parts. Refer service to qualified service personnel.

CLEANING

Caution: To avoid accidental burns, allow grill to cool thoroughly before cleaning.

1. Before cleaning, unplug grill from wall outlet and allow to cool.

Important: Heat will continue to be ON until the appliance is unplugged.

2. Place drip tray under front of grill. Use plastic spatula to scrape off any excess fat and food particles left on the grill plates; runoff will drip into the drip tray.
3. To remove the plates, press the release handles on both sides of the plates and remove from the grill. The plates can be washed in the dishwasher or by hand with hot, soapy water; always dry plates thoroughly before reattaching.

Note: If washing the plates in a dishwasher, dishwasher detergent may cause oxidation on uncoated side of grill plate. This is not harmful.

4. To remove stubborn buildup, use a nylon or nonmetallic scrubbing pad to clean.

Important: Do not use metallic scrubbing pads, steel wool or any abrasive cleaners to clean any part of your grill; use only nylon or nonmetallic scrubbing pads.

5. Empty drip tray and wash in hot, soapy water; dry thoroughly with a paper towel or cloth.
6. To clean the grill cover, wipe with a warm, damp sponge and dry with a soft, dry cloth.

Important: Do not immerse body of grill in water or any other liquid.

7. Any servicing requiring disassembly other than the above cleaning must be preformed by a qualified electrician.

Caution: Make sure to hold grill cover while cleaning to prevent accidental closing and injury.

STORAGE

Always make sure grill is clean and dry before storing.

TROUBLESHOOTING

PROBLEM	POSSIBLE CAUSE	SOLUTION
Finish on grill plates is scratched or has cut marks.	Metal utensils have been used.	Always use silicone, heatproof plastic or wood utensils to avoid scratching nonstick surface of grill plates. Never use metal spatulas, skewers, tongs, forks or knives.
The preheat indicator light turns on and off.	The heating elements are cycling.	This is normal. The light comes on when the grill is plugged in and off once the set temperature is reached; it will then cycle on and off to indicate the correct temperature is being maintained.
Grill marks on food are very light. The food looks steamed.	Grill was not fully preheated before use.	Always preheat grill at least 5 minutes before cooking any foods.
There is food buildup on grill plates.	Grill not properly cleaned after use.	Use nylon scrubbing pad and hot, soapy water to clean grill plates. Do not use steel wool scrubbing pads or abrasive cleaners to clean grill.
Food is dry and burnt.	Food is overcooked.	Since grill is cooking from both sides, food is cooked much faster than in a skillet or under a broiler. Use GRILLING CHART as a guide and check food at lowest time stated on chart.
Grill does not turn on.	Grill is not plugged in.	Check to be sure appliance is plugged into working outlet.
Grill plates have white spots.	Water from cleaning has dried on the surface of the grill plates.	Dry grill plates immediately after washing.

NEED HELP?

For service, repair or any questions regarding your appliance, call the appropriate 800 number on cover of this book. Please DO NOT return the product to the place of purchase. Also, please DO NOT mail product back to manufacturer, nor bring it to a service center.

You may also want to consult the website listed on the cover of this manual.

Three-Year Limited Warranty (Applies only in the United States and Canada)

What does it cover?

- Any defect in material or workmanship provided; however, Applica's liability will not exceed the purchase price of product.

For how long?

- Three years from the date of original purchase with proof of such purchase.

What will we do to help you?

- Provide you with a reasonably similar replacement product that is either new or factory refurbished.

How do you get service?

- Save your receipt as proof of date of sale.
- Check our on-line service site at www.prodprotect.com/applica, or call our toll-free number, 1-800-231-9786, for general warranty service.
- If you need parts or accessories, please call 1-800-738-0245.

What does your warranty not cover?

- Damage from commercial use
- Damage from misuse, abuse or neglect
- Products that have been modified in any way
- Products used or serviced outside the country of purchase
- Glass parts and other accessory items that are packed with the unit
- Shipping and handling costs associated with the replacement of the unit
- Consequential or incidental damages (Please note, however, that some states do not allow the exclusion or limitation of consequential or incidental damages, so this limitation may not apply to you.)

How does state law relate to this warranty?

- This warranty gives you specific legal rights, and you may also have other rights that vary from state to state or province to province.

Made in People's Republic of China

Printed in People's Republic of China

Por favor lea este instructivo antes de usar el producto .

INSTRUCCIONES IMPORTANTES DE SEGURIDAD

Cuando se usan aparatos eléctricos, siempre se deben respetar las siguientes medidas básicas de seguridad:

- Por favor lea todas las instrucciones.
- No toque las superficies calientes. Use las asas o las perillas.
- A fin de protegerse contra un choque eléctrico y lesiones a las personas, no sumerja el cable, los enchufes ni el aparato (con excepción de las placas removibles) en agua ni en ningún otro líquido.
- Todo aparato eléctrico usado en la presencia de los niños o por ellos mismos requiere la supervisión de un adulto.
- Desconecte el aparato del tomacorriente cuando no esté en uso y antes de limpiarlo. Espere que el aparato se enfríe antes de instalarle o retirarle piezas y antes de limpiarlo.
- No use ningún aparato eléctrico que tenga el cable o el enchufe averiado, que presente un problema de funcionamiento o que esté dañado. Acuda a un centro de servicio autorizado para que lo examinen, reparen o ajusten o llame gratis al número correspondiente en la cubierta de este manual.
- El uso de accesorios no recomendados por el fabricante del aparato puede ocasionar incendio, choque eléctrico o lesiones a las personas.
- No use este aparato a la intemperie.
- No permita que el cable cuelgue del borde de la mesa o del mostrador ni que entre en contacto con superficies calientes.
- No coloque el aparato sobre ni cerca de las hornillas de gas o eléctricas ni adentro de un horno caliente.
- Tome mucha precaución al mover de un lugar a otro un aparato que contenga aceite u otros líquidos calientes.
- Asegúrese de que las placas removibles estén colocadas y ajustadas correctamente. (Para más detalles consulte, "INSERTE LAS PLACAS DE LA PARRILLA" en la página 15.)
- Para desconectar, retire el enchufe del tomacorriente.

- Este aparato se debe usar únicamente con el fin previsto.
- Este aparato solo debe dejarse funcionar en posición cerrada.

CONSERVE ESTAS INSTRUCCIONES.

Este aparato eléctrico es para uso doméstico solamente.

ENCHUFE POLARIZADO (Solamente para los modelos de 120V)

Este aparato cuenta con un enchufe polarizado (un contacto es más ancho que el otro). A fin de reducir el riesgo de un choque eléctrico, este enchufe encaja en un tomacorriente polarizada en un solo sentido. Si el enchufe no entra en el tomacorriente, inviértalo y si aun así no encaja, consulte con un electricista. Por favor no trate de alterar esta medida de seguridad.

TORNILLO DE SEGURIDAD

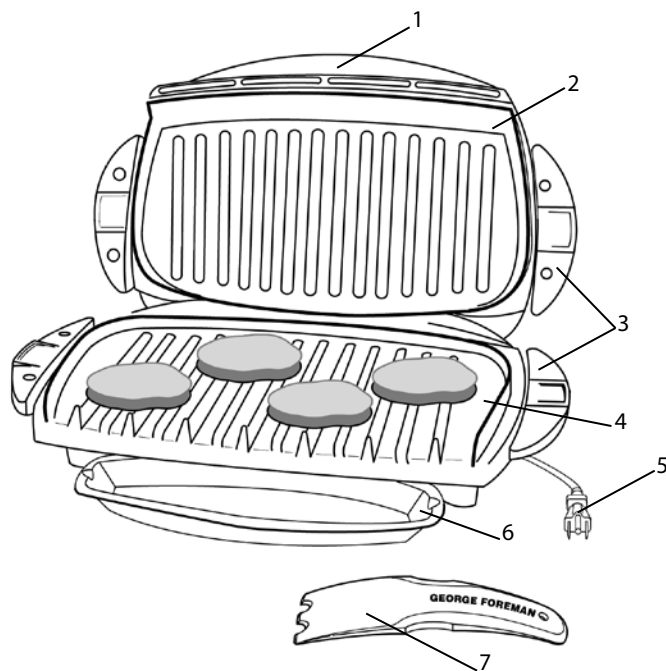
Advertencia: Este aparato cuenta con un tornillo de seguridad para evitar la remoción de la cubierta exterior del mismo. A fin de reducir el riesgo de incendio o de choque eléctrico, por favor no trate de remover la cubierta exterior. Este producto no contiene piezas reparables por el consumidor. Toda reparación se debe llevar a cabo únicamente por personal de servicio autorizado.

CABLE ELÉCTRICO

- a) El producto se debe proporcionar con un cable eléctrico corto (o uno separable), a fin de reducir el riesgo de tropezar o de enredarse en un cable más largo.
- b) Existen cables eléctricos más largos y separables o cables de extensión que uno puede utilizar si toma el cuidado debido.
- c) Si se utiliza un cable separable o de extensión,
 - 1) El régimen nominal del cable separable o del cable de extensión debe ser, como mínimo, igual al del régimen nominal del aparato.
 - 2) Si el aparato es de conexión a tierra, el cable de extensión debe ser un cable de tres alambres de conexión a tierra.
 - 3) Uno debe de acomodar el cable más largo de manera que no cuelgue del mostrador o de la mesa, para evitar que un niño tire del mismo o que alguien se tropiece.

Nota: Si el cordón de alimentación esta dañado, en América Latina debe sustituirse por personal calificado o por el centro de servicio autorizado.

El producto puede variar ligeramente del que aparece ilustrado aquí.



1. Asa
2. Placa superior de la parrilla removible (Pieza No 22618U)
3. Tiradores de liberación de la placa de la parrilla (ambos lados)
- † 4. Placa inferior de la parrilla removible (Pieza No 22618L)
5. Cable de corriente
- † 6. Bandeja de goteo (Pieza No 22545)
- † 7. Espátula (Pieza No 22619)

Nota: † indica piezas desmontables/reemplazables por el consumidor

Como usar

Este producto es para uso doméstico solamente.

PRIMEROS PASOS

- Retire todo el material de empaque y cualquier calcomanía que tenga el producto; retire y guarde el material de lectura.
- Por favor, ir a www.prodprotect.com/applica para registrar su garantía; para información adicional, ir a www.georgeforemancooking.com.
- Lave las piezas removibles y/o los accesorios según las instrucciones de CUIDADO y LIMPIEZA de este manual.
- Seleccione el lugar seco, nivelado donde se utilizará esta parrilla dejando el espacio suficiente entre la parte de atrás del aparato y la pared para permitir que el calor fluya sin dañar armarios y paredes.

INSERTE LAS PLACAS DE LA PARRILLA

Importante: Este electrodoméstico siempre debe ser usado con dos placas bien colocadas.

Precaución: Coloque todas las placas cuando el electrodoméstico esté frío.

1. Coloque la placa superior de la parrilla de forma segura, utilizando las asas de liberación a cada lado de la misma. Para fijar la placa, presione ambas asas de liberación hacia adentro, coloque la placa sobre la parrilla y luego suelte las asas.
2. Asegure la placa de la parrilla inferior o la placa de la parrilla usando las asas de liberación cómo se describe en el paso 1.

Consejo: Cuando las placas están colocadas correctamente, no queda espacio entre las asas de liberación superiores y las inferiores al cerrar la parrilla.

BANDEJA DE GOTEO

Coloque la bandeja de goteo debajo de la parte delantera inclinada de la parrilla.

PRECALENTAR LA PARRILLA

1. Cierra la tapa de la parrilla.
2. Desenrolle el cable y enchúfelo a un tomacorriente. La luz indicadora de precalentamiento se enciende para indicar que los elementos de calefacción han sido activados.
3. Precaliente la parrilla (aproximadamente 5 minutos) antes de usarla. La luz se apagará cuando la parrilla haya alcanzado la temperatura deseada.

Nota: La luz indicadora de precalentamiento se encenderá y apagará durante el ciclo de cocción a fin de mantener la temperatura deseada.

ALIMENTOS A LA PARRILLA

1. Con un agarrador, abra cuidadosamente la parrilla precalentada.

Nota: La capa antiadherente George Tough™ que tienen las placas están diseñadas para trabajar sin aceite, mantequilla o spray para cocinar. Si lo desea, puede utilizar mantequilla o aceite, pero nunca debe de usar spray, ya que los mismos químicos que permiten que salga se acumulan en la superficie de las placas y reducen su eficiencia.

2. Coloque cuidadosamente los alimentos que desea cocinar en la placa inferior de la parrilla precalentada. En esta parrilla por lo general caben hasta 3 a 4 porciones.

Nota: No sobrecargue la placa de cocción.

- Cierre la tapa y permita que los alimentos se cocinen por el tiempo seleccionado. Si desea, puede usar un cronómetro de cocina.

Nota: Use los tiempos de cocción sugeridos que se encuentran en la TABLA PARA ASAR, en la páginas 16 – 18.

Importante: No deje el electrodoméstico sin supervisión durante su uso.

- Se puede ejercer una presión ligera en el asa para presionar y calentar el alimento a su agrado.

Importante: Nunca utilice demasiada presión sobre el asa de la parrilla.

- Después del tiempo seleccionado, el alimento debería estar cocinado. Si prefiere cocinar sus alimentos por más tiempo, simplemente siga las instrucciones, comenzando con el paso número 3.

- Una vez que termine el proceso de cocción, cuidadosamente abra la tapa de la parrilla con una agarradera.

- Retire los alimentos cocinados con la espátula de plástico suministrada.

Nota: Siempre use utensilios de silicón, plástico o madera antitérmicos para evitar rayar la superficie antiadherente de las placas de la parrilla. Nunca use espátulas, espetones, pinzas, tenedores ni cuchillos de metal.

- Cuando termine de cocinar, desenchufe el aparato.

Importante: Los elementos de calentamiento seguirán estando encendidos hasta desenchufar el electrodoméstico.

- Deje que el líquido en la bandeja de goteo se enfríe antes de retirarla de debajo de la parrilla. Lave y seque la bandeja de goteo después de cada uso.

TABLA PARA ASAR

Los siguientes valores se deben usar como guía únicamente. Los tiempos sugeridos corresponden a la capacidad completa de la parrilla. El tiempo de cocción depende del grosor y del corte utilizado. Use un termómetro de cocción para comprobar si el alimento está listo. Si el alimento necesita una cocción más prolongada, verifique periódicamente para evitar cocinarlo en exceso.

ALIMENTO	TIEMPO DE COCCIÓN	COMENTARIOS
CARNE		
Hamburguesas frescas (5 oz)	4 – 6 minutos	¾ pulgada de grosor Cocción a término medio 160 °F
Hamburguesas congeladas (5 oz)	5 – 6 minutos	¾ pulgada de grosor Cocción a término medio 160 °F
Bistec de vacío (¾ lb)	6 – 8 minutos	¾ pulgada de grosor Cocción a punto 145 °F
Bistec de falda (½ lb)	4 – 6 minutos	¾ pulgada de grosor Cocción a término medio 160 °F

ALIMENTO	TIEMPO DE COCCIÓN	COMENTARIOS
CARNE		
Bistec tipo NY / del lomo corto (6 oz)	6 – 8 minutos	¾ pulgada de grosor Cocción a punto 145 °F
Filete de carne de res (5 oz)	4 – 6 minutos	¾ pulgada de grosor Cocción a punto 145 °F
Pinchos de carne de res	5 – 7 minutos	Cocción a término medio 160 °F
Chuletas de lomo de puerco, deshuesadas	4 – 6 minutos	¾ pulgada de grosor Cocción a 160 °F
Chuletas de lomo de puerco, con hueso	4 – 6 minutos	½ pulgada de grosor Cocción a 160 °F
Embutido, salchichita o pati	4 – 6 minutos	Cocción a 160 °F
Hot dogs	4 – 5 minutos	Cocción a 168 °F
Tocino	6 – 8 minutos	Cocinar hasta estar crujiente
Chuletas de lomo de puerco ahumadas, deshuesadas	4 – 6 minutos	Cocción a 160 °F
Chuletas de cordero, lomo	5 – 7 minutos	¾ pulgada de grosor Cocción a término medio 160 °F
AVES		
Pechuga de pollo, deshuesada y sin piel (8 oz)	11 – 13 minutos	Cocción a 170 °F
Lomitos de pollo (4 a 6 trozos)	4 – 6 minutos	Cocción a 170 °F
Lomo de pavo (¾ lb)	9 – 11 minutos	Cocción a 170 °F
Hamburguesas de pavo (5 oz)	4 – 6 minutos	Cocción a 170 °F
PESCADO		
Filetes de tilapia (6 oz c/u)	5 – 7 minutos	Cocción a 145 °F
Filete de trucha (6 oz)	4 – 6 minutos	Cocción a 145 °F
Filete de salmón (8 oz por pieza)	5 – 7 minutos	Cocción a 145 °F
Bistec de salmón (8 oz)	7 – 9 minutos	Cocción a 145 °F
Bistec de atún (6 oz)	4 – 6 minutos	Cocción a 145 °F
Langostinos	3 – 4 minutos	Cocción a 145 °F

Tenga en cuenta: Para asegurarse de que su alimento esté completamente cocinado, el Departamento de Agricultura de los Estados Unidos (United States Department of Agriculture, USDA) recomienda las siguientes pautas. Use un cronómetro de cocina. Use un termómetro para carnes para comprobar si el alimento está listo insertando el termómetro para carnes en el centro del alimento que está cocinando y asegúrese de que el termómetro no toque el hueso o las placas de la parrilla.

ALIMENTO PARA COCINAR	TÉRMINO MEDIO	BIEN COCIDO O TOTALMENTE COCIDO
Pechuga de pollo		170 °F
Muslo de pollo		180 °F
Carne de res / Cordero / Ternera	160 °F	170 °F
Puerco		160 °F
Carne de res y ave cocidas recalentadas		165 °F

COMO ASAR FRUTAS Y VERDURAS

Los siguientes valores se deben usar como guía únicamente. Los tiempos sugeridos corresponden a la capacidad completa de la parrilla. El tiempo de cocción depende del grosor del alimento. Introduzca un tenedor en el centro del alimento para comprobar si está listo. (Tenga cuidado de no tocar las placas de la parrilla.) Si el alimento necesita una cocción más prolongada, verifique periódicamente para evitar cocinarlo en exceso.

ALIMENTO	TIEMPO DE COCCIÓN
Racimos de espárragos	4 – 6 minutos
Pimientos, diversos colores cortados en aros (½ pulgada)	5 – 7 minutos
Hongos, en rebanadas gruesas	4 – 5 minutos
Rebanadas de cebolla (½ pulgada)	5 – 7 minutos
Rebanadas de papa (½ pulgada)	15 – 18 minutos
Hongos portobello (3 pulgadas de diámetro)	4 – 6 minutos
Rebanadas de zucchini (½ pulgada)	3 – 4 minutos
Rodajas de piña fresca (½ pulgada)	2 – 4 minutos

CONSEJOS PARA ASAR A LA PARRILLA

- Para impedir la pérdida de calor y generar una cocción pareja, no abra la tapa de la parrilla frecuentemente durante la cocción.
- No llene la parrilla en exceso.
- Al cocinar por primera vez un alimento específico, compruebe si está listo varios minutos antes del tiempo sugerido; si es necesario, ajuste el tiempo de cocción.
- Si cocina más de un trozo de alimento, intente que tengan un tamaño y grosor similares.
- Recuerde que, dado que la parrilla cocina de ambos lados, el tiempo de cocción será típicamente más corto que lo esperado. Preste atención para evitar cocinar en exceso.
- Para obtener un sabor más intenso, agregue los condimentos secos antes de asar a la parrilla o marine los alimentos antes de cocinarlos.

Importante: Para cocinar en esta parrilla, use solamente utensilios de silicón, plástico o madera. Se recomienda especialmente los utensilios de silicón, ya que no se descolorean ni se derriten a temperaturas altas.

Cuidado y limpieza

Este aparato no contiene piezas reparables por el consumidor. Para servicio, por favor acuda a personal calificado.

LIMPIEZA

Precaución: Para evitar quemaduras accidentales, espere hasta que la plancha se enfríe completamente antes de limpiarla.

1. Antes de limpiar, desenchufe la parrilla del tomacorriente de la pared y deje que se enfríe.
2. Coloque una bandeja de goteo debajo del frente de la parrilla. Use la espátula de plástico para raspar el exceso de grasa y las partículas de alimentos que queden en las placas de la parrilla; el escurrimiento caerá en la bandeja de goteo.
3. Para retirar las placas, presione las asas de liberación a ambos lados de las mismas y sepárelas de la parrilla. Las placas se pueden lavar en la lavaplatos o a mano con agua caliente jabonada; siempre séquelas completamente antes de colocarlas en la parrilla nuevamente.

Nota: Si lava las placas en la máquina lavaplatos, el detergente de fregar platos puede oxidar la parte de la placa sin capa protectora. Esto no es dañino.

4. Para eliminar las acumulaciones difíciles, use una esponjilla de nailon o no metálica para limpiar las placas de la parrilla.

Importante: No use esponjillas metálicas, lana de acero ni limpiadores abrasivos para limpiar ninguna parte de su parrilla; use únicamente esponjillas de nailon o no metálicas.

- Vacía la bandeja de goteo y lávela con agua templada en jabón; séquela bien con una toalla de papel.
- Para limpiar la tapa de la parrilla, limpie con una esponja húmeda templada y seque con un trapo seco suave.

Importante: No sumerja la estructura de la parrilla en agua ni en ningún otro líquido.

- Cualquier servicio técnico que requiera desarmar la parrilla, además de la limpieza mencionada, debe ser realizado por un electricista calificado.

Precaución: Asegúrese de sujetar la tapa de la parrilla por el tirador al limpiarla para evitar que se cierre accidentalmente y provoque lesiones.

ALMACENAMIENTO

Siempre asegúrese de que la parrilla esté limpia y seca antes de almacenarla.

RESOLUCIÓN DE PROBLEMAS O FALLAS

PROBLEMA	CAUSA POSIBLE	SOLUCIÓN
Las terminaciones de las placas de la parrilla tienen marcas de cortes.	Se han utilizado utensilios de metal.	Siempre use utensilios de silicón, plástico o madera antitérmicos para evitar rayar la superficie antiadherente de las placas de la parrilla. Nunca use espátulas, espetones, pinzas, tenedores ni cuchillos de metal.
La luz indicadora de precalentamiento se enciende y se apaga.	Los elementos calefactores están en ciclo.	Esto es normal. La luz se enciende cuando la parrilla está enchufada y se apaga una vez que alcanza la temperatura programada; se encenderá y apagará de forma cíclica para indicar que la parrilla está manteniendo la temperatura adecuada.
Las marcas del asado a la parrilla en los alimentos son muy leves.	No se precalentó la parrilla completamente antes de usarla.	Siempre precaliente la parrilla, por lo menos 5 minutos antes de cocinar cualquier alimento.
Hay acumulación de comida en las placas de la parrilla.	No se limpió la parrilla correctamente después de usarla.	Use esponjillas de nailon y agua caliente en jabón para limpiar las placas de la parrilla. No use esponjillas de lana de acero ni limpiadores abrasivos para limpiar la parrilla.
El alimento está seco y quemado.	El alimento se ha cocinado en exceso.	Dado que la parrilla cocina de ambos lados, los alimentos se cocinan mucho más rápido que en una sartén o en un asador. Use la TABLA PARA ASAR como guía y revise el alimento cuando haya pasado el tiempo más bajo establecido en el cuadro.
La parrilla no enciende.	La parrilla no está enchufada.	Compruebe que el electrodoméstico esté enchufado en un tomacorriente.
Las placas de cocción tienen manchas blancas.	El agua de la limpieza se ha secado sobre la superficie de las placas.	Seque las placas inmediatamente después de lavarlas.

¿NECESITA AYUDA?

Para servicio, reparaciones o preguntas relacionadas al producto, por favor llame gratis al número "800" que aparece en la cubierta de este manual. No devuelva el producto al establecimiento de compra. No envíe el producto por correo al fabricante ni lo lleve a un centro de servicio. También puede consultar el sitio web que aparece en la cubierta de este manual.

Tres años de garantía limitada

(Aplica solamente en Estados Unidos o Canadá)

¿Qué cubre la garantía?

- La garantía cubre cualquier defecto de materiales o de mano de obra. Aplica no se responsabiliza por ningún costo que exceda el valor de compra del producto.

¿Por cuánto tiempo es válida la garantía?

- Por tres años a partir de la fecha original de compra mientras que tenga una prueba de la compra.

¿Qué clase de asistencia recibe el consumidor?

- El consumidor recibe un producto de reemplazo nuevo o restaurado de fábrica, parecido al original.

¿Cómo se obtiene el servicio necesario?

- Conserve el recibo original como comprobante de la fecha de compra.
- Se puede visitar el sitio web de asistencia al consumidor www.prodprotect.com/applica, o se puede llamar gratis al número 1-800-231-9786, para obtener información relacionada al servicio de garantía.
- Si necesita piezas o accesorios, por favor llame gratis al 1-800-738-0245.

¿Qué aspectos no cubre esta garantía?

- Los daños al producto ocasionados por el uso comercial
- Los daños ocasionados por el mal uso, abuso o negligencia
- Los productos que han sido alterados de cualquier manera
- Los productos utilizados o reparados fuera del país original de compra
- Las piezas de vidrio y demás accesorios empacados con el aparato
- Los gastos de tramitación y embarque relacionados con el reemplazo del producto
- Los daños y perjuicios indirectos o incidentales (sin embargo, por favor observe que algunos estados no permiten la exclusión ni la limitación de los daños y perjuicios indirectos ni incidentales, de manera que esta restricción podría no aplicar a usted).

¿Qué relación tiene la ley estatal con esta garantía?

- Esta garantía le otorga derechos legales específicos y el consumidor podría tener otros derechos que varían de una región a otra.



© 2010 Applica Consumer Products, Inc.

2010/10-5-13E/S