

LITTERMAID

Kitty Kabana™

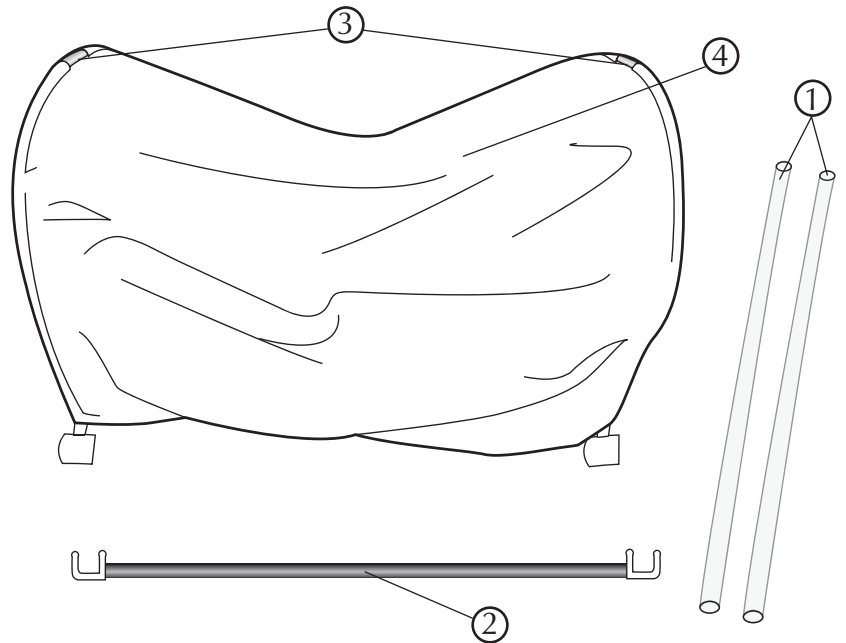
LITTER BOX COVER

Models
 LMT250
 LME9000MW
 LME9250

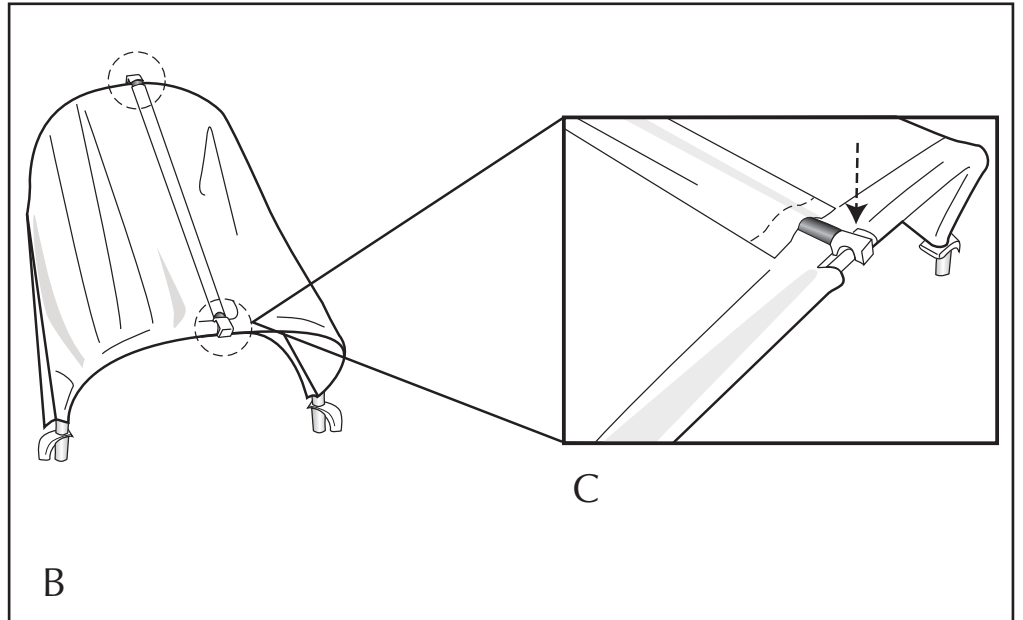
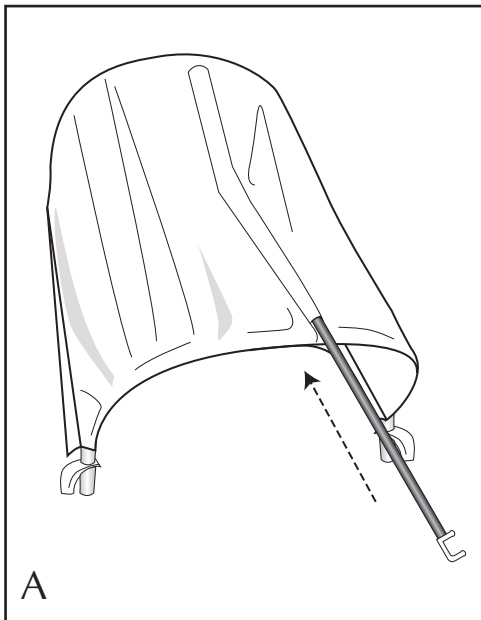
Getting Started

Make sure you have all of the parts listed below

1. Transparent tubes (2)
2. Metallic rod
3. Curved tubes (already preassembled in kabana)
4. Preassembled Kabana



To Assemble

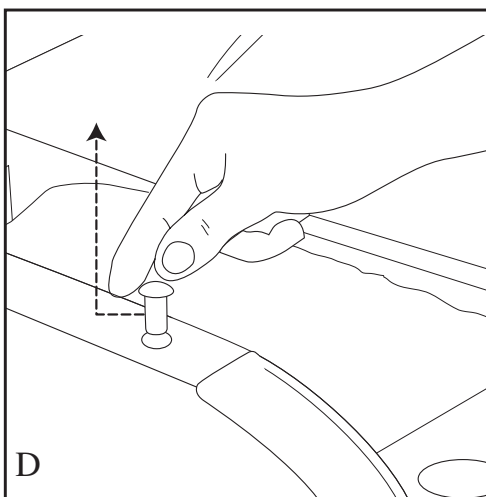


1. Insert the metallic rod through the looped fabric located on top of the preassembled kabana (A).

2. Position the ends of the metallic rod over the curved tubes that are already preassembled inside the kabana (B).

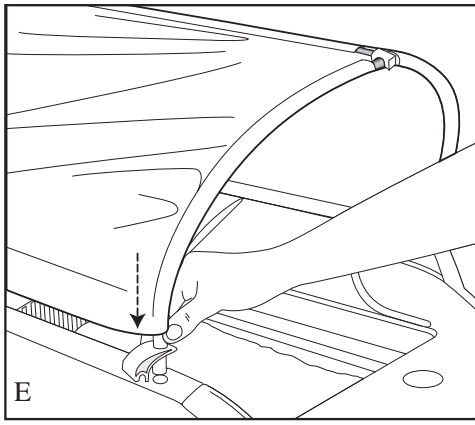
3. Press the ends of the metallic rod into the curved tubes, (where the kabana's fabric has an opening), until it snaps into place (C).

Note: The two remaining transparent tubes are installed at the end.

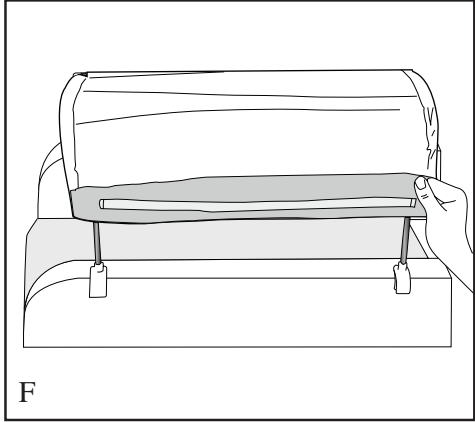


How to install the LitterMaid Kitty Kabana™ onto your LitterMaid® Litter Box

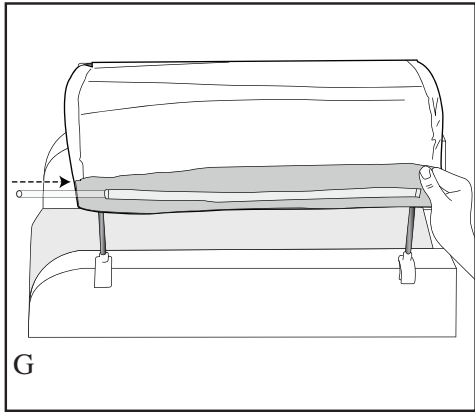
1. Remove the 4 plugs located on the corners of the litter box's top housing (D).



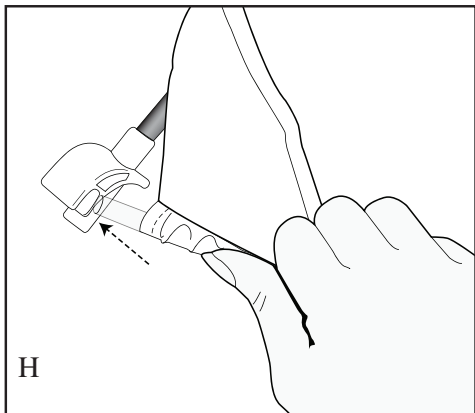
2. Insert the kabana's 4 curved tube ends into the plug holes on the litter box's top housing, one at a time **(E)**.



3. Lift the kabana's side flap to reveal the looped fabric on the inside of the kabana **(F)**.



4. Insert the transparent tube through the looped fabric of the kabana **(G)**.



5. Insert the transparent tube into the latch of the curved tube end on both ends of the kabana **(H)**.
 6. Repeat steps 3 - 5 to assemble the other side of the kabana.
 7. Your LitterMaid Kitty Kabana™ is now fully assembled.

Care and Cleaning

1. From time to time, wipe the outer surface of the kabana with a damp soft cloth.
2. For a thorough cleaning, remove the kabana from the litter box.
3. Disassemble the kabana for cleaning the same way it was assembled.
4. Kabana may be hosed down or washed with warm, soapy water.
5. Kabana may also be washed in the sink or tub.

Important: Do not place the LitterMaid Kitty Kabana™ in the washing machine or the dryer.

6. Once the Kabana is completely dry, reassemble it and place it back on the litter box.

Important: Allow the kabana to dry thoroughly before reassembling it.

Storing

1. Disassemble the LitterMaid Kitty Kabana™ and store in its box or in a clean, dry place.