

SAVE THESE INSTRUCTIONS.

This product is for household use only.

- Do not use appliance for other than intended use.
- Always attach plug to appliance first, then plug cord in the wall outlet. To disconnect, turn any control to Off, then remove plug containing hot oil or other hot liquids.
- Extreme caution must be used when moving an appliance oven.
- Do not place on or near a hot gas or electric burner, or in a heated hot surfaces.
- Do not let cord hang over edge of table or counter, or touch
- Do not use outdoors.
- Do not let cord hang over edge of table or counter, or touch appliance manufacturer may cause injuries.
- The use of accessory attachments not recommended by the toll-free number on the cover of this manual.
- For examination, repair or adjustment. Or, call the appropriate manner. Return appliance to the nearest authorized service facility after the appliance malfunctions or has been damaged in any
- Do not operate any appliance with a damaged cord or plug, or
- Do not plug from outlet when not in use and before cleaning. Allow to cool before putting on or taking off parts, and before cleaning the appliance.
- Close supervision is necessary when any appliance is used by or near children.
- To protect against electric shock do not immerse cord, plugs or appliance in water or other liquid.
- Do not touch hot surfaces. Use handles or knobs.
- Read all instructions.

When using electrical appliances, basic safety precautions should always be followed, including the following:

IMPORTANT SAFEGUARDS

Please Read and Save this Use and Care Book.



ELECTRIC SKILLET

SÁRTEN ELÉCTRICO

Customer Care Line:

USA
1-800-231-9786
Mexico
01-800 714-2503

Accesorios/Parts (USA)

Accesorios/Partes (EE.UU)

1-800-738-0245

For **online customer service** and to **register** your product, go to **www.prodprotect.com/applica** For **US residents only.**



MODEL/MODELO

○ SKG105

POLARIZED PLUG (120V Models Only)

This appliance has a polarized plug (one blade is wider than the other). To reduce the risk of electric shock, this plug is intended to fit into a polarized outlet only one way. If the plug does not fit fully into the outlet, reverse the plug. If it still does not fit, contact a qualified electrician. Do not attempt to modify the plug in any way.

Warning: This appliance is equipped with a tamper-resistant screw to prevent removal of the outer cover. To reduce the risk of fire or electric shock, do not attempt to remove the outer cover. There are no user-serviceable parts inside. Repair should be done only by authorized service personnel.

ELECTRICAL CORD

a) A short power-supply cord (or detachable power-supply cord) is to be provided to reduce the risk resulting from becoming entangled in or tripping over a longer cord.

b) Longer detachable power-supply cords or extension cords are available

c) If a long detachable power-supply cord or extension cord is used, the marked electrical rating of the detachable power-supply cord or extension cord should be at least as great as the electrical rating of the appliance.

2) If the appliance is of the grounded type, the extension cord should be a grounding-type 3-wire cord, and

3) The longer cord should be arranged so that it will not drape over the countertop or tabletop where it can be pulled on by children or tripped over.

Note: If the power supply cord is damaged, it should be replaced by qualified personnel, in Latin America by an authorized service center.

TAMPER-RESISTANT SCREW

Warning: This appliance is equipped with a tamper-resistant screw to prevent removal of the outer cover. To reduce the risk of fire or electric shock, do not attempt to remove the outer cover. There are no user-serviceable parts inside. Repair should be done only by authorized service personnel.

POLARIZED PLUG (120V Models Only)

This appliance has a polarized plug (one blade is wider than the other). To reduce the risk of electric shock, this plug is intended to fit into a polarized outlet only one way. If the plug does not fit fully into the outlet, reverse the plug. If it still does not fit, contact a qualified electrician. Do not attempt to modify the plug in any way.

Warning: This appliance is equipped with a tamper-resistant screw to prevent removal of the outer cover. To reduce the risk of fire or electric shock, do not attempt to remove the outer cover. There are no user-serviceable parts inside. Repair should be done only by authorized service personnel.

ELECTRICAL CORD

a) A short power-supply cord (or detachable power-supply cord) is to be provided to reduce the risk resulting from becoming entangled in or tripping over a longer cord.

b) Longer detachable power-supply cords or extension cords are available

c) If a long detachable power-supply cord or extension cord is used, the marked electrical rating of the detachable power-supply cord or extension cord should be at least as great as the electrical rating of the appliance.

2) If the appliance is of the grounded type, the extension cord should be a grounding-type 3-wire cord, and

3) The longer cord should be arranged so that it will not drape over the countertop or tabletop where it can be pulled on by children or tripped over.

Note: If the power supply cord is damaged, it should be replaced by qualified personnel, in Latin America by an authorized service center.

Código de fecha / Date Code



1 200 W 120 V ~ 60 Hz



Copyright © 2009 Applica Consumer Products, Inc.

Fabricado en la República Popular de China
Impreso en la República Popular de China

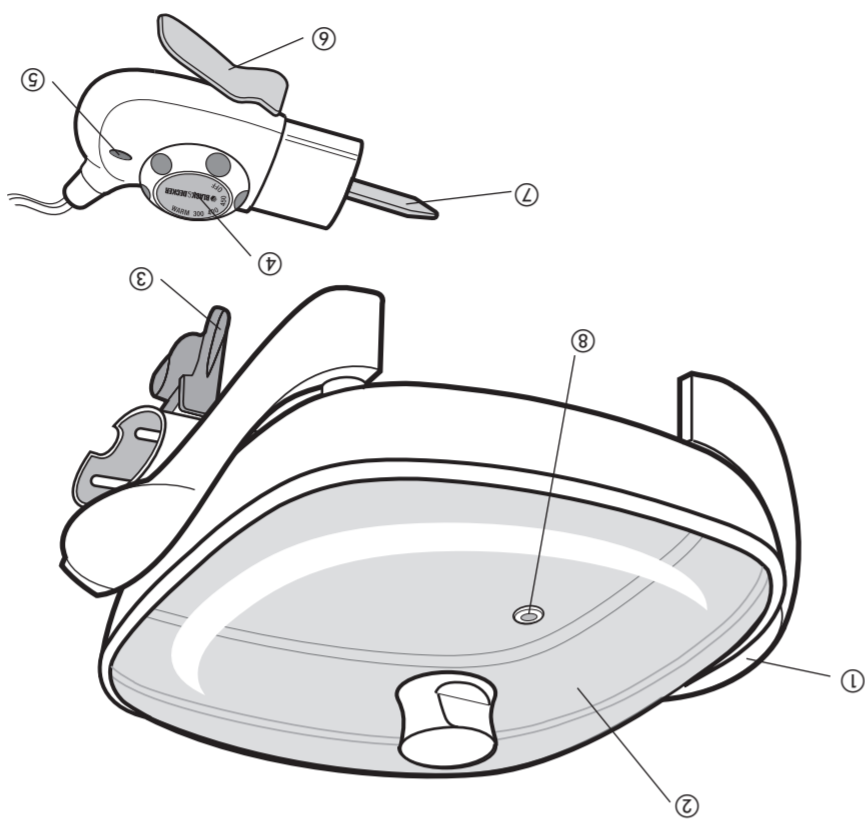
Made in People's Republic of China
Printed in People's Republic of China

Importado por / Imported by:

APPLICA AMERICAS, INC.
Av. Juan B Justo 637 Piso 10
(C1425FSA) Ciudad Autonoma de Buenos Aires
Argentina
C.U.I.T No. 30-69729892-0

Importado por / Imported by:

APPLICA MANUFACTURING, S. DE R. L. DE C. V.
Presidente Mazarik No 111, 1er Piso
Col. Chapultepec Morales, Mexico D.F
Deleg. Miguel Hidalgo
CP 11570
MEXICO
Teléfono: (55) 5263-9900
Del interior marque sin costo
01 (800) 714 2503



Product may vary slightly from what is illustrated.

NEED HELP?

For service, repair or any questions regarding your appliance, call the appropriate 800 number on cover of this book. Please **DO NOT** return the product to the place of purchase. Also, please **DO NOT** mail product back to manufacturer, nor bring it to a service center. You may also want to consult the website listed on the cover of this manual.

Two-Year Limited Warranty

(Applies only in the United States)

What does it cover?

- Any defect in material or workmanship provided; however, Applica's liability will not exceed the purchase price of product.

For how long?

- Two years after date of purchase.

What will we do to help you?

- Provide you with a reasonably similar replacement product that is either new or factory refurbished.

How do you get service?

- Save your receipt as proof of date of sale.
- Visit the online service website at www.prodprotect.com/applica, or call toll-free 1-800-231-9786, for general warranty service.
- If you need parts or accessories, please call 1-800-738-0245.

What does your warranty not cover?

- Damage from commercial use
- Damage from misuse, abuse or neglect
- Products that have been modified in any way
- Products used or serviced outside the country of purchase
- Glass parts and other accessory items that are packed with the unit
- Shipping and handling costs associated with the replacement of the unit
- Consequential or incidental damages (Please note, however, that some states do not allow the exclusion or limitation of consequential or incidental damages, so this limitation may not apply to you.)

How does state law relate to this warranty?

- This warranty gives you specific legal rights. You may also have other rights that vary from state to state or province to province.

HOW TO USE

- Remove all labels, tags and stickers attached to the body and cord.
- Please go to www.prodprotect.com/applica to register your warranty.
- Remove and save literature. Conditioning the skillet pan
- Before using your skillet for the first time, make sure variable temperature control is removed and wash all parts as instructed in the Care and Cleaning section.

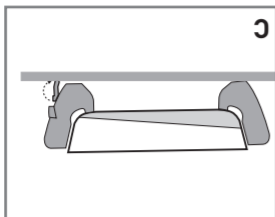
2. To preserve the nonstick coating, spread a light coating of cooking oil over the inside surfaces. Remove excess oil with a cloth or paper towel. You will not have to condition the coating again.

Care and Cleaning

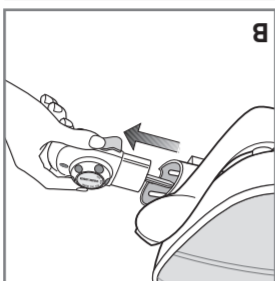
This product contains no user serviceable parts. Refer service to qualified service personnel.

TO CLEAN:

1. Unplug the cord and let unit cool completely.
2. Make sure the variable temperature control is removed.
3. Wash the pan and lid with warm sudsy water. The lid can also be washed in the dishwasher, top rack only.
4. If washing by hand, use a sponge or nylon scouring pad with liquid detergent. Do not use any abrasive cleaners or metal pads as they can damage the nonstick coating.
5. Rinse and dry.
6. Wipe the outside of the base with a damp cloth. Do not immerse in water or other liquid.
7. Store the unit in a dry place and wind electric cord into a coil securing it with a twist fastener.



The pan-tilt leg raises one side of the skillet so that oils, fats or other liquids move away from the food while cooking or when serving. To use, pull the leg straight down so that it stands under the cool-touch handle **(C)**.



5. To take the skillet to the table for serving, at serving temperature. remove the variable temperature control by pressing the quick-release lever and pulling out the control **(B)**.

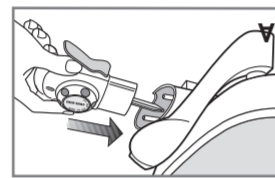
5. Turn temperature control to desired setting or according to your recipe. The indicator light comes on. The desired temperature should line up with the indicator light. When the selected temperature is reached, the light goes off. During cooking the light will blink on and off, indicating the temperature is maintained.

4. When finished cooking, set temperature control to WARM to keep food at serving temperature.

3. Turn temperature control to desired setting or according to your recipe. The indicator light comes on. The desired temperature should line up with the indicator light. When the selected temperature is reached, the light goes off. During cooking the light will blink on and off, indicating the temperature is maintained.

2. Plug unit into an AC electric outlet. **Important: Make sure the control is securely inserted.**

1. Insert the probe firmly into the socket **(A)**. **Important: Make sure the control is securely inserted.**



READY TO USE YOUR SKILLET

1. Insert the probe firmly into the socket **(A)**. **Important: Make sure the control is securely inserted.**

2. Plug unit into an AC electric outlet. **Important: Make sure the control is securely inserted.**

3. Turn temperature control to desired setting or according to your recipe. The indicator light comes on. The desired temperature should line up with the indicator light. When the selected temperature is reached, the light goes off. During cooking the light will blink on and off, indicating the temperature is maintained.

4. When finished cooking, set temperature control to WARM to keep food at serving temperature.

5. To take the skillet to the table for serving, at serving temperature. remove the variable temperature control by pressing the quick-release lever and pulling out the control **(B)**.

The pan-tilt leg raises one side of the skillet so that oils, fats or other liquids move away from the food while cooking or when serving. To use, pull the leg straight down so that it stands under the cool-touch handle **(C)**.

6. Use plastic, rubber or wood utensils when cooking and serving. If using metal utensils, be careful not to scrape the nonstick finish.

7. Use plastic, rubber or wood utensils when cooking and serving. If using metal utensils, be careful not to scrape the nonstick finish.

8. Use plastic, rubber or wood utensils when cooking and serving. If using metal utensils, be careful not to scrape the nonstick finish.

9. Use plastic, rubber or wood utensils when cooking and serving. If using metal utensils, be careful not to scrape the nonstick finish.

10. Use plastic, rubber or wood utensils when cooking and serving. If using metal utensils, be careful not to scrape the nonstick finish.

11. Use plastic, rubber or wood utensils when cooking and serving. If using metal utensils, be careful not to scrape the nonstick finish.

12. Use plastic, rubber or wood utensils when cooking and serving. If using metal utensils, be careful not to scrape the nonstick finish.

13. Use plastic, rubber or wood utensils when cooking and serving. If using metal utensils, be careful not to scrape the nonstick finish.

14. Use plastic, rubber or wood utensils when cooking and serving. If using metal utensils, be careful not to scrape the nonstick finish.

15. Use plastic, rubber or wood utensils when cooking and serving. If using metal utensils, be careful not to scrape the nonstick finish.

16. Use plastic, rubber or wood utensils when cooking and serving. If using metal utensils, be careful not to scrape the nonstick finish.

17. Use plastic, rubber or wood utensils when cooking and serving. If using metal utensils, be careful not to scrape the nonstick finish.

18. Use plastic, rubber or wood utensils when cooking and serving. If using metal utensils, be careful not to scrape the nonstick finish.

19. Use plastic, rubber or wood utensils when cooking and serving. If using metal utensils, be careful not to scrape the nonstick finish.

20. Use plastic, rubber or wood utensils when cooking and serving. If using metal utensils, be careful not to scrape the nonstick finish.

21. Use plastic, rubber or wood utensils when cooking and serving. If using metal utensils, be careful not to scrape the nonstick finish.

22. Use plastic, rubber or wood utensils when cooking and serving. If using metal utensils, be careful not to scrape the nonstick finish.

23. Use plastic, rubber or wood utensils when cooking and serving. If using metal utensils, be careful not to scrape the nonstick finish.

Por favor lea este instructivo antes de usar el producto.

INSTRUCCIONES IMPORTANTES DE SEGURIDAD

Cuando se usan aparatos eléctricos, siempre se deben respetar las siguientes medidas básicas de seguridad:

- Por favor lea todas las instrucciones.
- No toque las superficies calientes. Use las asas o las perillas.
- A fin de protegerse contra un choque eléctrico y lesiones a las personas, no sumerja el cable, los enchufes ni el aparato en agua ni en ningún otro líquido.
- Todo aparato eléctrico usado en la presencia de los niños o por ellos mismos requiere la supervisión de un adulto.
- Desconecte el aparato de la toma de corriente cuando no esté en uso y antes de limpiarlo. Espere que el aparato se enfríe antes de instalarle o retirarle piezas y antes de limpiarlo.
- No use ningún aparato eléctrico que tenga el cable o el enchufe averiado, que presente un problema de funcionamiento o que esté dañado. Acuda a un centro de servicio autorizado para que lo examinen, reparen o ajusten o llame gratis al número correspondiente en la cubierta de este manual.
- El uso de accesorios no recomendados por el fabricante del aparato puede ocasionar incendio, choque eléctrico o lesiones a las personas.
- No use este aparato a la intemperie.
- No permita que el cable cuelgue del borde de la mesa o del mostrador ni que entre en contacto con superficies calientes.
- No coloque el aparato sobre ni cerca de las hornillas de gas o eléctricas ni adentro de un horno caliente.
- *e debe tener muchísimo cuidado al mover un aparato cuando tiene aceite u otros líquidos calientes.
- Siempre conecte primero el cable al aparato y después, enchúfelo a la toma de corriente. Para desconectar, ajuste todo control a la posición de apagado (OFF) y después, retire el enchufe de la toma de corriente.

- Este aparato se debe usar únicamente con el fin previsto.

CONSERVE ESTAS INSTRUCCIONES.

Este aparato eléctrico es para uso doméstico únicamente.

ENCHUFE POLARIZADO (Solamente para los modelos de 120V)

Este aparato cuenta con un enchufe polarizado (un contacto es más ancho que el otro). A fin de reducir el riesgo de un choque eléctrico, este enchufe encaja en una toma de corriente polarizada en un solo sentido. Si el enchufe no entra en la toma de corriente, inviértalo y si aun así no encaja, consulte con un electricista. Por favor no trate de alterar esta medida de seguridad.

TORNILLO DE SEGURIDAD

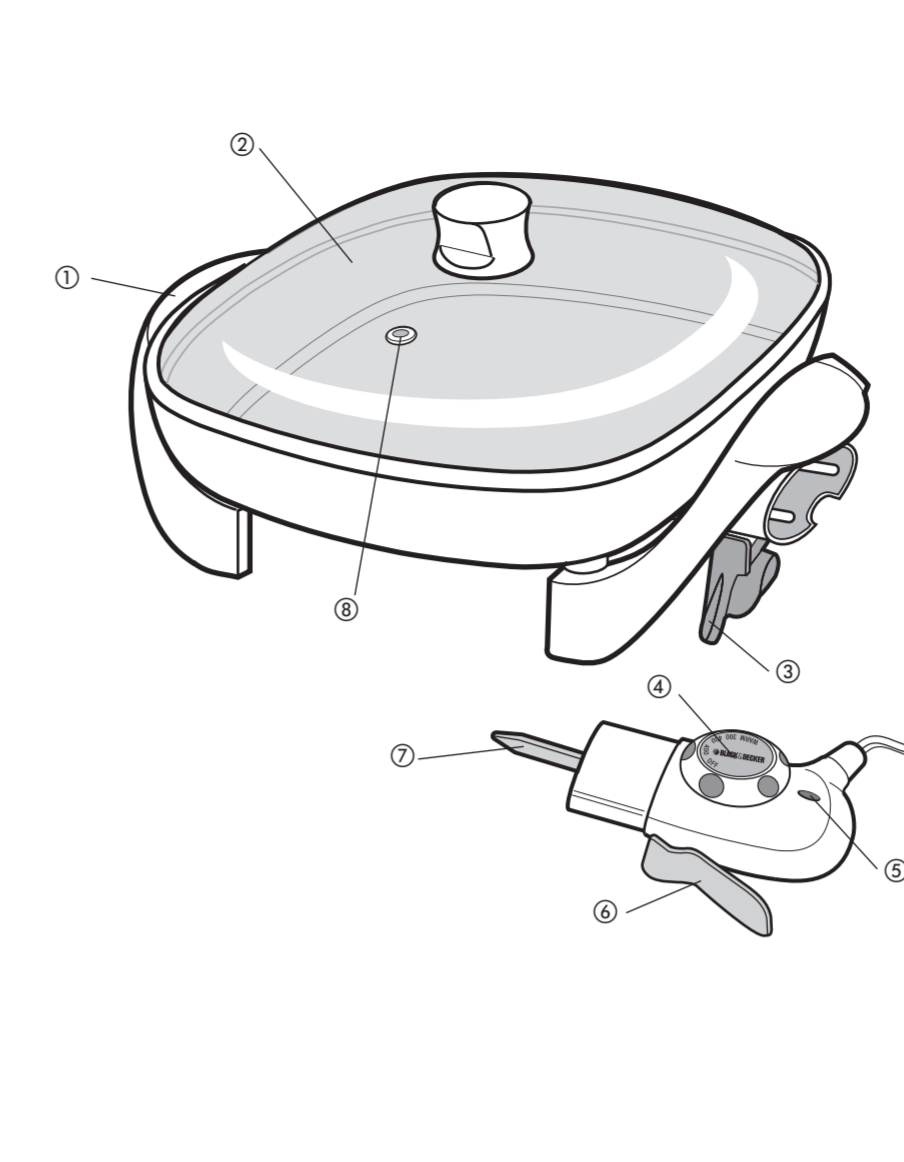
Advertencia: Este aparato cuenta con un tornillo de seguridad para evitar la remoción de la cubierta exterior del mismo. A fin de reducir el riesgo de incendio o de choque eléctrico, por favor no trate de remover la cubierta exterior. Este producto no contiene piezas reparables por el consumidor. Toda reparación se debe llevar a cabo únicamente por personal de servicio autorizado.

CABLE ELÉCTRICO

- a) El producto se debe de proporcionar con un cable eléctrico corto (o uno separable), a fin de reducir el riesgo de tropezar o de enredarse en un cable más largo.
- b) Existen cables eléctricos más largos y separables o cables de extensión que uno puede utilizar si toma el cuidado debido.
- c) Si se utiliza un cable separable o de extensión,
 - 1) El régimen nominal del cable separable o del cable de extensión debe ser, como mínimo, igual al del régimen nominal del aparato.
 - 2) Si el aparato es de conexión a tierra, el cable de extensión debe ser un cable de tres alambres de conexión a tierra.
 - 3) Uno debe de acomodar el cable más largo de manera que no cuelgue del mostrador o de la mesa, para evitar que un niño tire del mismo o que alguien se tropiece.

Nota: Si el cordón de alimentación es dañado, en América Latina debe sustituirse por personal calificado o por el centro de servicio autorizado.

Este producto puede variar ligeramente del que aparece ilustrado.



1. Asas frías al tacto
2. Tapa de vidrio
3. Soporte de inclinación
4. Control de temperatura
5. Luz indicadora
6. Palanca fácil de soltar
7. Contacto para el control de temperatura
8. Escape de vapor



Póliza de Garantía (Válida sólo para México)
Duración
Applica Manufacturing, S. de R. L. de C.V. garantiza este producto por 2 años a partir de la fecha original de compra.

¿Qué cubre esta garantía?

Esta Garantía cubre cualquier defecto que presenten las piezas, componentes y la mano de obra contenidas en este producto.

Requisitos para hacer válida la garantía

Para reclamar su Garantía deberá presentar al Centro de Servicio Autorizado la póliza sellada por el establecimiento en donde adquirió el producto. Si no la tiene, podrá presentar el comprobante de compra original.

¿Dónde hago válida la garantía?

Llame sin costo al teléfono 01 800 714 2503, para ubicar el Centro de Servicio Autorizado más cercano a su domicilio en donde usted podrá encontrar partes, componentes, consumibles y accesorios.

Procedimiento para hacer válida la garantía

Acuda al Centro de Servicio Autorizado con el producto con la póliza de Garantía sellada o el comprobante de compra original, ahí se reemplazará cualquier pieza o componente defectuoso sin cargo alguno para el usuario final. Esta Garantía incluye los gastos de transportación que se deriven de su cumplimiento.

Excepciones

Esta Garantía no será válida cuando el producto:

- A) Se hubiese utilizado en condiciones distintas a las normales.
- B) No hubiese sido operado de acuerdo con el instructivo de uso que le acompaña.
- C) Cuando el producto hubiese sido alterado o reparado por personas no autorizadas por Applica Manufacturing, S. de R. L. de C.V.

COMO USAR

- Despegue todo rótulo, calcomanía o etiqueta adherida al cuerpo y el cable.
- Por favor, visite www.prodprotect.com/applica para registrar su garantía.
- Retire y conserve toda literatura.

ACONDICIONAMIENTO DE LA SARTÉN

- Antes de utilizar la sartén por primera vez, asegúrese de que el control de temperatura esté retirado y lave todas las piezas según las indicaciones de cuidado y limpieza.
- Para proteger y conservar el revestimiento antiadherente, distribuya una ligera capa de aceite de cocinar en las superficies interiores de la sartén. Limpie el exceso de aceite con un paño o con una toalla de papel. No es

necesario acondicionar el revestimiento de la sartén nuevamente.

ANTES DE PONER EN USO LA SARTÉN

- Enchufe el contacto del mismo control firmemente en el aparato **(A)**. **Importante: Asegúrese de enchufar bien dicho contacto.**
- Enchufe el aparato a una toma de corriente alterna.

- Ajuste el control a la temperatura deseada o según la receta. La luz indicadora brilla. La temperatura debe alinearse con la luz indicadora Cuando la unidad alcanza la temperatura seleccionada, la luz de se apaga. Mientras está cocinando, la luz se enciende y apaga, lo cual indica que se mantiene en la temperatura seleccionada.

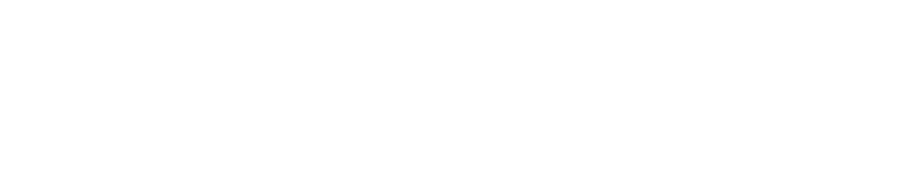
- Ajuste el control de temperature a la posición WARM para conservar los alimentos calientes hasta servirlos.
- Para llevar la sartén a la mesa, presione la palanca para retirar y soltar fácilmente el control de temperatura variable **(B)**. **Advertencia: Tenga cuidado al retirar el control de temperatura variable ya que la sartén permanece caliente por un tiempo.**
- Para cocinar o servir, utilice utensilios de plástico, de goma o de madera. Si utiliza utensilios de metal, tenga cuidado de no raspar el acabado antiadherente del aparato.

USO DEL SOPORTE DE INCLINACIÓN

El soporte de inclinación alza la sartén por un costado a fin de alejar el aceite, la grasa y demás jugos mientras uno prepara los alimentos o antes de servirlos.

Para ajustar, tire del soporte directamente para abajo de manera que éste permanezca en posición vertical

debajo del asa **(C)**.



<p>Por favor llame al número correspondiente que aparece en la lista a continuación para solicitar que se haga efectiva la garantía y donde Ud. puede solicitar servicio, reparaciones o partes en el país donde el producto fué comprado. También puede consultarnos en el e-mail servicio@applicamail.com.mx</p>	
<p>Argentina SERVICIO TECNICO CENTRAL ATTENDANCE Avda. Monroe N° 3351 Buenos Aires – Argentina Fonos: 0810 – 999 – 8999 011 – 4545 – 4700 011 – 4545 – 5574 supervision@attendance.com.ar</p>	<p>México Artículo 123 # 95 Local 109 y 112 Col. Centro, Cuauhtemoc, México, D.F. Tel. 01 800 714 2503</p>
<p>Chile MASTER SERVICE SERVICENTER Nueva Los Leones N° 0252 Providencia Santiago – Chile Fono Servicio: (562) – 232 77 22 servicente@servicenter.cl</p>	<p>Nicaragua ServiTotal De semáforo de portezuelo 500 metros al sur. Managua, Nicaragua, Tel. (505) 248-7001</p>
<p>Colombia PLINARES Avenida Quito # 88A-09 Bogotá, Colombia Tel. sin costo 01 800 7001870</p>	<p>Panamá Servicios Técnicos CAPRI Tumbamuerto Boulevard El Dorado Panamá 500 metros al sur. Tel. 3020-480-800 sin costo (507) 2360-236 / 159</p>
<p>Costa Rica Aplicaciones Electromecanicas, S.A. Calle 26 Bis y Ave. 3 San Jose, Costa Rica Tel.: (506) 257-5716 / 223-0136</p>	<p>Perú Servicio Central Fast Service Av. Angamos Este 2431 San Borja, Lima Perú Tel. (511) 2251 388</p>
<p>Ecuador Servicio Master de Ecuador Av. 6 de Diciembre 9276 y los Alamos Tel. (593) 2281-3882</p>	<p>Puerto Rico Buckeye Service Jesús P. Piñero #1013 Puerto Nuevo, SJ PR 00920 Tel.: (787) 782-6175</p>
<p>El Salvador Calle San Antonio Abad 2936 San Salvador, El Salvador Tel. (503) 2284-8374</p>	<p>Republica Dominicana Plaza Lama, S.A. Av. Duarte #94 Santo Domingo, República Dominicana Tel.: (809) 687-9171</p>
<p>Guatemala MacPartes SA 3ª Calle 414 Zona 9 Frente a Tecun Tel. (502) 2331-5020 / 2332-2101</p>	<p>Venezuela Inversiones BDR CA Av. Casanova C.C. City Market Nivel Plaza Local 153 Diagonal Hotel Melia, Caracas. Tel. (582) 324-0969</p>
<p>Honduras ServiTotal Contigua a Telecentro Tegucigalpa, Honduras, Tel. (504) 235-6271</p>	<p>www.applicaservice.com servicio@applicamail.com</p>