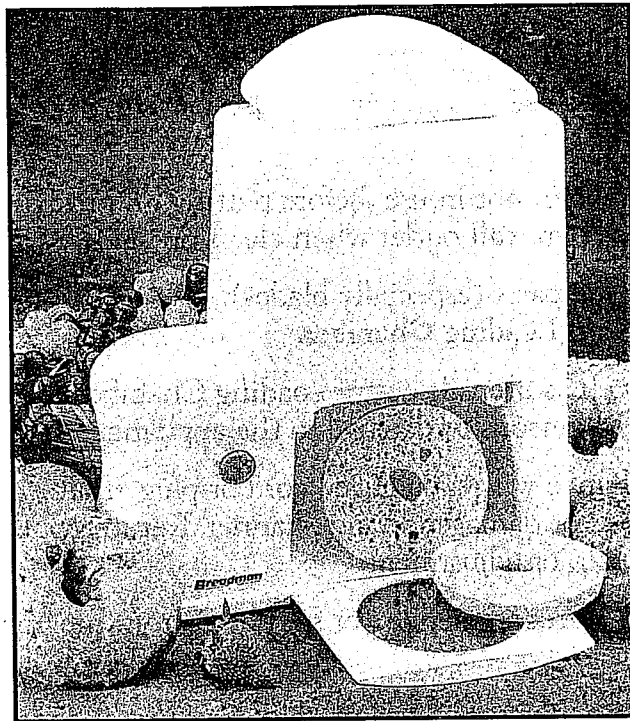


Breadman®

INSTRUCTION MANUAL



THE I ♥ BAGELS®
EASY-SLICE BAGEL CUTTER



IMPORTANT SAFEGUARDS

When using electrical appliances, basic safety precautions should always be followed, including the following:

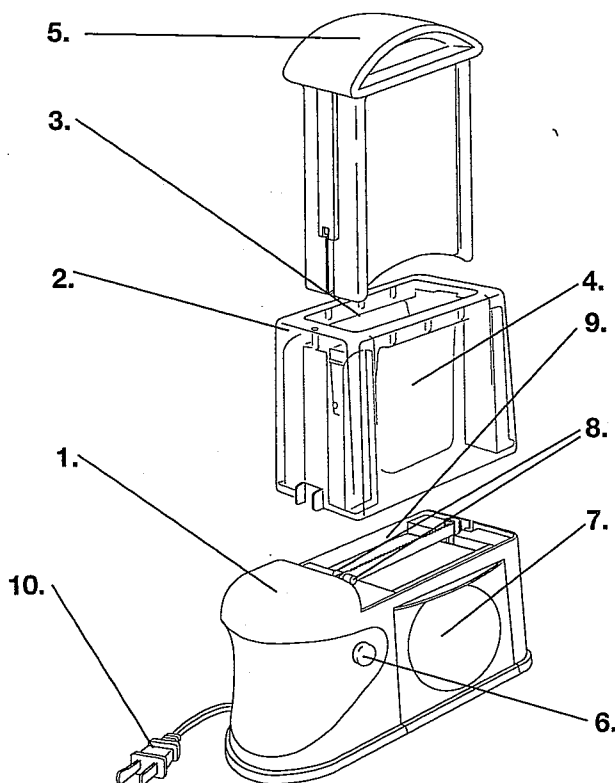
1. **READ ALL INSTRUCTIONS.**
2. **THIS APPLIANCE IS FOR HOUSEHOLD USE ONLY.**
DO NOT use outdoors or for commercial purposes.
3. To protect against risk of electrical shock, do not submerge the Bagel Cutter or allow AC cord to come into contact with water or other liquids.
4. **DO NOT** allow children to use this appliance. Use Bagel Cutter with care when children are present.
5. Unplug from wall outlet when not in use, before putting on or taking off parts, and before cleaning. Unplug from wall outlet when cleaning blades.
6. Avoid contact with moving parts (especially blades).
DO NOT place hands into Loading Chamber.
7. Keep hair, clothing, as well as utensils out of Loading Chamber while slicing to reduce the risk of severe injury to persons or damage to the appliance.
8. Do not operate any appliance with a damaged cord or plug or after the appliance malfunctions or is dropped or damaged in any manner. Return appliance to Salton, Inc. for examination, repair, or adjustment.
9. The use of attachments not recommended or sold by Salton, Inc. may cause fire, electrical shock or injuries.
10. **DO NOT** let the cord hang over the edge of table or counter or touch hot surfaces, including the stove.
11. **Blades are sharp; handle carefully.** Always handle blades by Protective Grips and with hand away from cutting edge. Always store blades with cutting edge away from you.
12. **DO NOT** use this appliance for other than its intended use.
13. **NEVER** push bagel into Loading Chamber with bare hands. Always use Bagel Pusher when lowering bagel into Loading Chamber.

SAVE THESE INSTRUCTIONS



YOUR BREADMAN® I ♥ BAGELS® BAGEL CUTTER

1. Motor Housing
2. Chamber Cover - 70437
3. Loading Chamber
4. Chamber Guides
5. Bagel Pusher - 70435
6. Power Button
7. Unload Door - 70436
8. Protective Grips Blades
9. Dual Head Serrated Slicing
10. Power Cord



This appliance is for HOUSEHOLD USE ONLY and may be plugged into any 120V AC electrical outlet. Do not use any other type of outlet.

POLARIZED PLUG

This appliance has a polarized plug (one blade is wider than the other). To reduce the risk of electric shock, this plug is intended to fit into a polarized outlet only one way. If the plug does not fit fully into the outlet, reverse the plug. If it still does not fit, contact a qualified electrician. Do not attempt to modify the plug in any way.

SHORT CORD

The Bagel Cutter's power cord is short to reduce your risk of becoming entangled in or tripping over a long cord. You can obtain a longer, detachable power-supply cord or extension cord, but be careful when using Bagel Cutter equipped with extra cord length.

If a longer detachable power-supply cord or extension cord is used, (1) the marked electrical rating of the extension cord should be at least as great as the electrical rating of the appliance, and (2) the longer cord should be arranged so that it will not drape over the counter top or table top where it can be pulled on by children or tripped over unintentionally.



OPERATING INSTRUCTIONS

To begin operation

1. Place Bagel Cutter on a dry, level surface.
2. Plug the Power Cord into a standard household electrical outlet.

Caution:

Use this product with the proper AC voltage rating only. Be sure to unplug the power cord when Bagel Cutter is not in use.

3. Pull up and lift out Bagel Pusher from Easy-Slice Loading Chamber.

Caution:

This product is intended to slice only bagels and some larger English Muffins. **DO NOT** use this product for other than its intended use. Personal injury or product damage may result.

DO NOT attempt to cut through frozen foods! Thaw bagels before placing into Bagel Cutter.

4. Carefully set a single bagel into Loading Chamber opening at top of appliance. (See Figure 1.)

Caution:

DO NOT place hands into Loading Chamber.

5. Align tabs on ends of Bagel Pusher with cut-outs in Loading Chamber.
6. Press in and hold Power Button (on Motor Housing near Unload Door). Use Bagel Pusher to carefully push bagel down through Chamber Guides and over Slicing Blades. (See Figure 2.) Guide the Bagel Pusher down into Loading Chamber until it stops.
7. Release Power Button.
8. Open Unload Door and carefully remove sliced bagel. (See Figure 3.) Close Unload Door.
9. Repeat steps 3-8 above to slice each additional bagel.

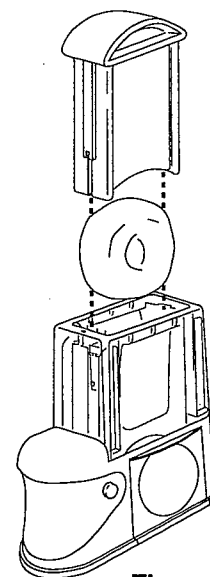


Figure 1

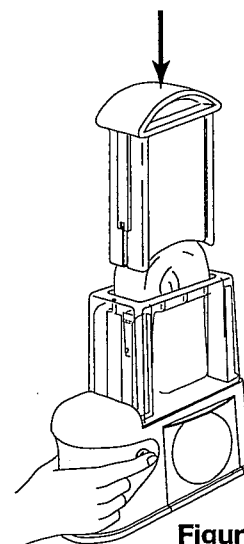


Figure 2

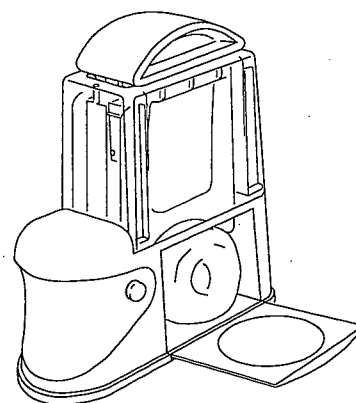


Figure 3



MAINTENANCE AND CLEANING

This appliance is permanently lubricated and will not require additional lubrication for the life of the product. It contains no user serviceable parts inside the motor housing. Do not remove the motor housing cover. Contact qualified personnel if the product requires service.

Caution:

Always unplug Bagel Cutter before cleaning.

To protect against electric shock, never immerse the Bagel Cutter in water or any other liquid.

DO NOT use harsh or abrasive cleansers as this may scratch or otherwise damage the surface.

To Clean Bagel Cutter

1. Unplug the unit from the wall outlet.
2. If not already in place, slide Bagel Pusher into Loading Chamber until it stops.
3. Open Unload Door. Using a soft, dampened cloth, wipe any crumbs from inside compartment and from inside of Unload Door. Dry thoroughly with a soft cloth.
4. Pull up and lift out Bagel Pusher from Loading Chamber. Wash Bagel Pusher in warm, soapy water. Dry thoroughly and replace into Loading Chamber.

Caution:

DO NOT place hands into Loading Chamber.

5. Wipe exterior of Bagel Cutter with a soft, dampened cloth. Dry thoroughly.

To Clean Slicing Blades

1. Unplug the unit from the wall outlet.
2. Pull up and lift out Bagel Pusher from Loading Chamber. Set Bagel Pusher aside.



MAINTENANCE AND CLEANING *(continued)*

3. With one hand, press in the round thumb press on back of unit. With other hand, lift up back end of Chamber Cover. Carefully slide Chamber Cover out and away from front of unit. Set Chamber Cover aside.
4. Using your thumb and forefinger, grasp white Protective Grips at front end of Slicing Blade. Carefully lift blades out of the blade holders on each end.

Caution:

Always hold blades with serrated edges facing away from you.

5. Wash the blades in warm, soapy water. Blades may also be washed in the dishwasher. Rinse and dry blades thoroughly. Replace blades into blade holders on Bagel cutter using white Protective Grips to guide blades.
6. Replace Chamber Cover by inserting tabs into front of motor housing. Gently lower back while guiding thumb press into round cut-out in motor housing.
7. Replace Bagel Pusher into Loading Chamber.

Storage

1. Unplug the unit from the wall outlet.
2. Store in original box or in a clean, dry place. Never wrap cord tightly around the appliance. Do not put any stress on the cord where it enters the unit, as this could cause the cord to fray and break.

ONE-YEAR LIMITED WARRANTY

This Salton, Inc. product warranty extends to the original consumer purchaser of the product.

Warranty Duration: This product is warranted to the original consumer purchaser for a period of one (1) year from the original purchase date.

Warranty Coverage: This product is warranted against defective materials or workmanship. This warranty is void if the product has been damaged by accident, in shipment, unreasonable use, misuse, neglect, improper service, commercial use, repairs by unauthorized personnel or other causes not arising out of defects in materials or workmanship. This warranty is effective only if the product is purchased and operated in the USA, and does not extend to any units which have been used in violation of written instructions furnished by Salton, Inc., or to units which have been altered or modified or to damage to products or parts thereof which have had the serial number removed, altered, defaced or rendered illegible.

Warranty Disclaimers: This warranty is in lieu of all warranties expressed or implied and no representative or person is authorized to assume for Salton, Inc. any other liability in connection with the sale of our products. There shall be no claims for defects or failure of performance or product failure under any theory of tort, contract or commercial law including, but not limited to, negligence, gross negligence, strict liability, breach of warranty and breach of contract.

Warranty Performance: During the above one-year warranty period, a product with a defect will be either repaired or replaced with a reconditioned comparable model (at Salton, Inc.'s option) when the product is returned to the Salton, Inc. facility. The repaired or replacement product will be in warranty for the balance of the one-year warranty period and an additional one-month period. No charge will be made for such repair or replacement.

Service and Repair

Should the appliance malfunction, you should first call toll-free 1-800-233-9054 **between the hours of 8:00 am and 5:00 pm Central Standard Time** and ask for **CONSUMER SERVICE** stating that you are a consumer with a problem. Please refer to Model IS1 when you call.

In-Warranty Service (USA) for an appliance covered under the warranty period, no charge is made for service or postage. Call for pre-paid return mailing label. (U.S. Customers Only)

In-Warranty Service (Canada) for an appliance covered under the warranty period, no charge is made for service or postage. Please return the product insured, packaged with sufficient protection, and postage and insurance prepaid to the address listed below. **Customs duty/brokerage fee, if any, must be paid by the consumer.**

Out-of-Warranty Service: A flat rate charge by model is made for out-of-warranty service. Include \$8.00 (U.S.) for return shipping and handling.

Salton, Inc. cannot assume responsibility for loss or damage during incoming shipment. For your protection, carefully package the product for shipment and insure it with the carrier. Be sure to enclose the following items with your appliance: any accessories related to your problem; your full return address and daytime phone number; a note describing the problem you experienced; a copy of your sales receipt or other proof of purchase to determine warranty status. C.O.D. shipments cannot be accepted.

Return the appliance to:

ATTN: Repair Department
Salton, Inc.
550 Business Center Drive
Mt. Prospect, Illinois 60056

For more information on Salton, Inc. products:

visit our website: <http://www.breadman.com> or E-mail us at breadman@saltonusa.com

IMPORTANT NOTICE

*If any parts are missing or defective,
DO NOT return this product.
Please call our Customer Service Department for assistance.*

800-233-9054 Monday - Friday 8am - 5pm CST

Thank You



If after reading this instruction
booklet you still have questions about using the
Breadman® I ♥ Bagels® Easy-Slice Bagel Cutter,
please write or call:

Salton, Inc.
550 Business Center Drive
Mt. Prospect, IL 60056
1-800-233-9054

Monday - Friday 8am - 5pm CST

For more information on Salton, Inc. products, E-mail us at:

breadman@saltonusa.com

OR, visit our website:

<http://www.breadman.com>